

Main body (MBM)

Main body (MBM; 1 of 2)

Figure 4-29 Main body (MBM; 1 of 2)

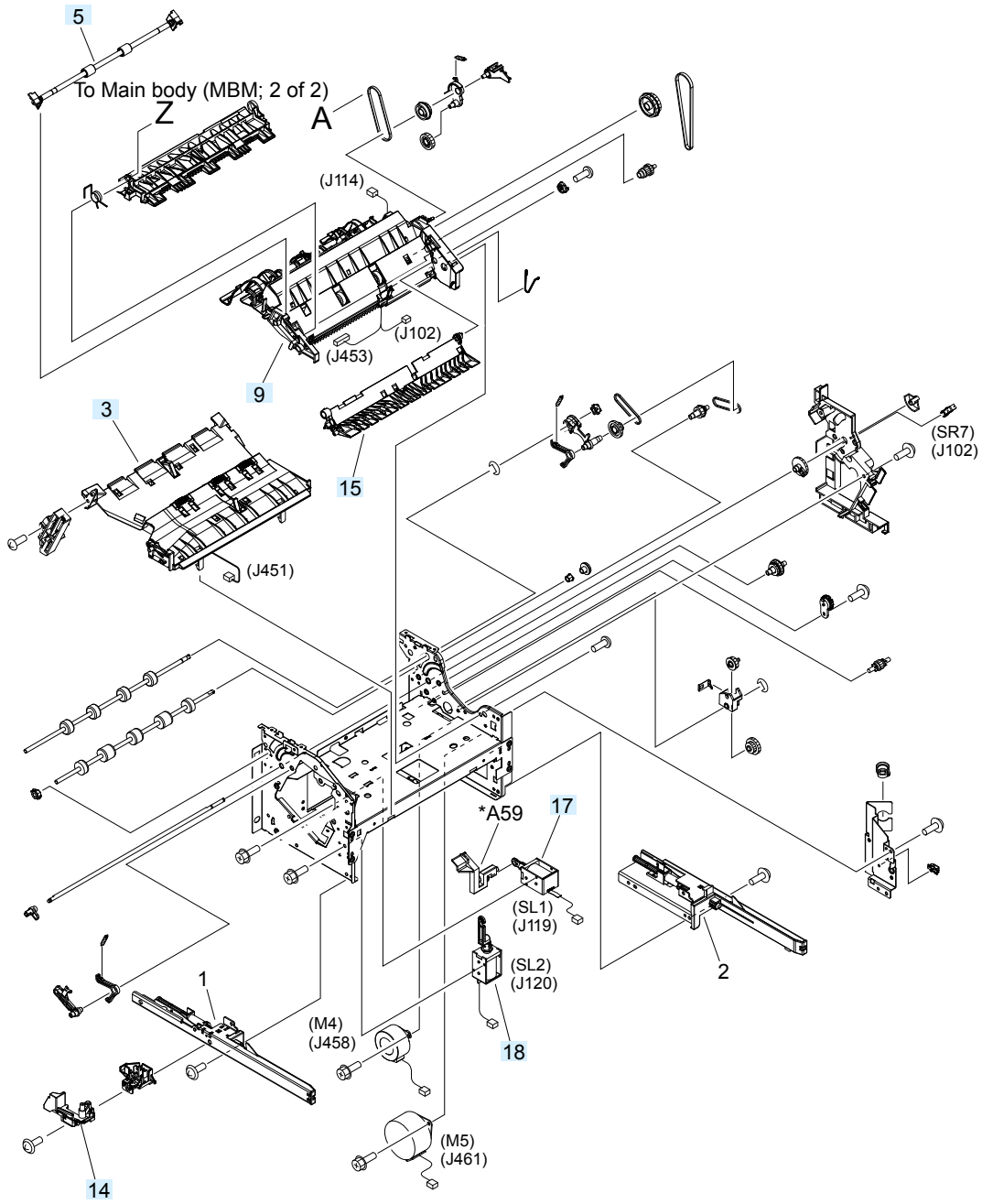


Table 4-29 Main body (MBM; 1 of 2)

Ref	Description	Part number	Qty
3	Stage assembly (MBM)	RM1-5159-000CN	1
5	Paper feed roller assembly (MBM)	RM1-6332-000CN	1
9	Stage top sub assembly (MBM)	RM1-7437-000CN	1
14	Interlock assembly (MBM)	RM1-7431-000CN	1
15	Paper feed guide assembly (MBM)	RM1-5173-000CN	1
17	Solenoid, stamp assembly (MBM)	RM1-6664-000CN	1
18	Solenoid, entrance assembly (MBM)	RM1-6663-000CN	1