

Main body (MBM; 2 of 2)

Figure 4-30 Main body (MBM; 2 of 2)

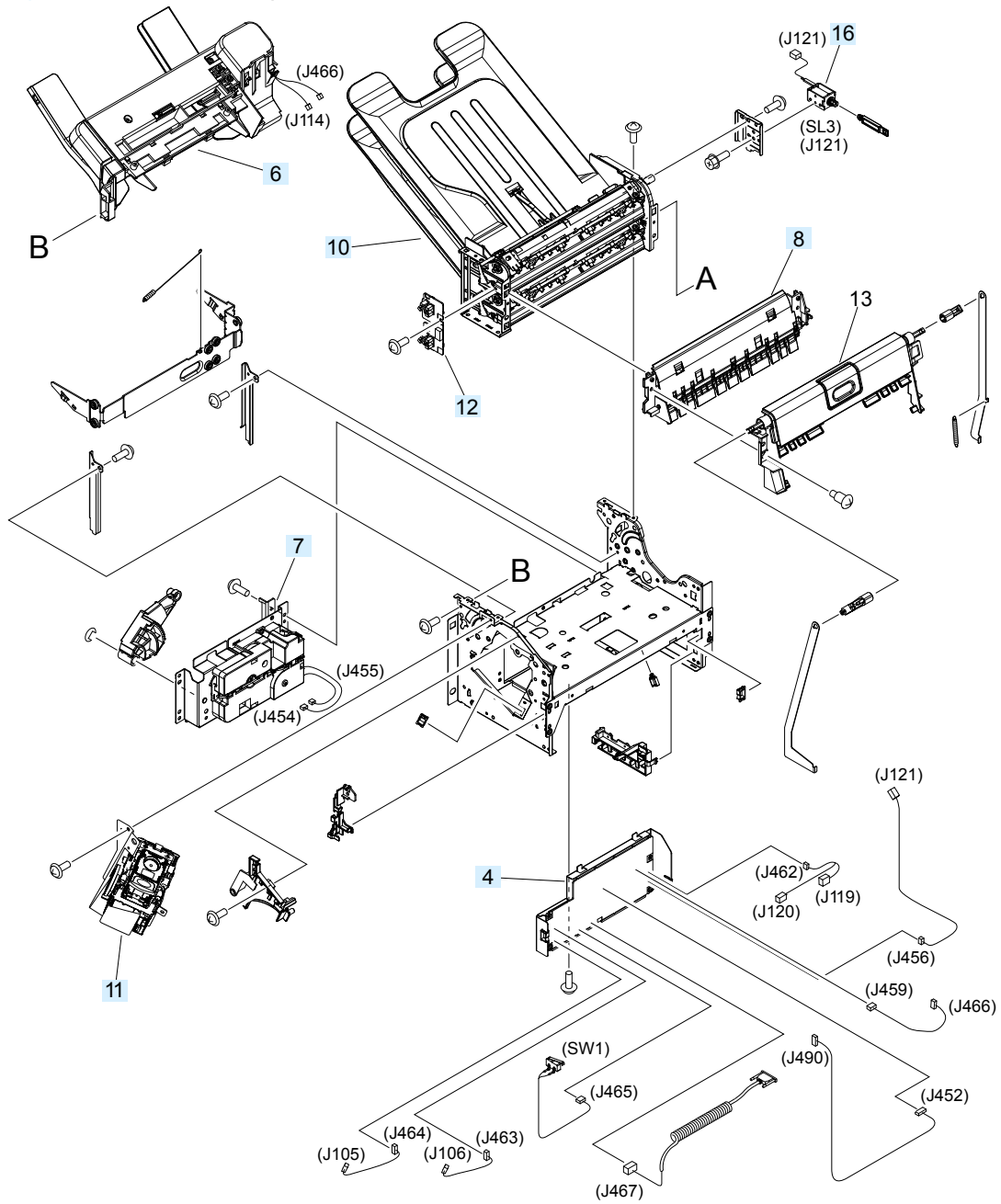


Table 4-30 Main body (MBM; 2 of 2)

| Ref | Description | Part number | Qty |
|------------|--------------------------|--------------------|------------|
| 4 | MBM driver PCA (MBM) | RM1-7433-000CN | 1 |
| 6 | Jog assembly (MBM) | RM1-7433-000CN | 1 |
| 7 | Lift tray assembly (MBM) | RM1-5156-000CN | 1 |
| 8 | Flapper assembly (MBM) | RM1-5157-000CN | 1 |
| 10 | MBM bin assembly (MBM) | RM1-6668-000CN | 1 |
| 11 | Stapler assembly (MBM) | RM1-5166-000CN | 1 |
| 12 | Bin sensor PCA (MBM) | RM1-5894-000CN | 1 |