

Upper plate assembly

Figure 4-7 Upper plate assembly

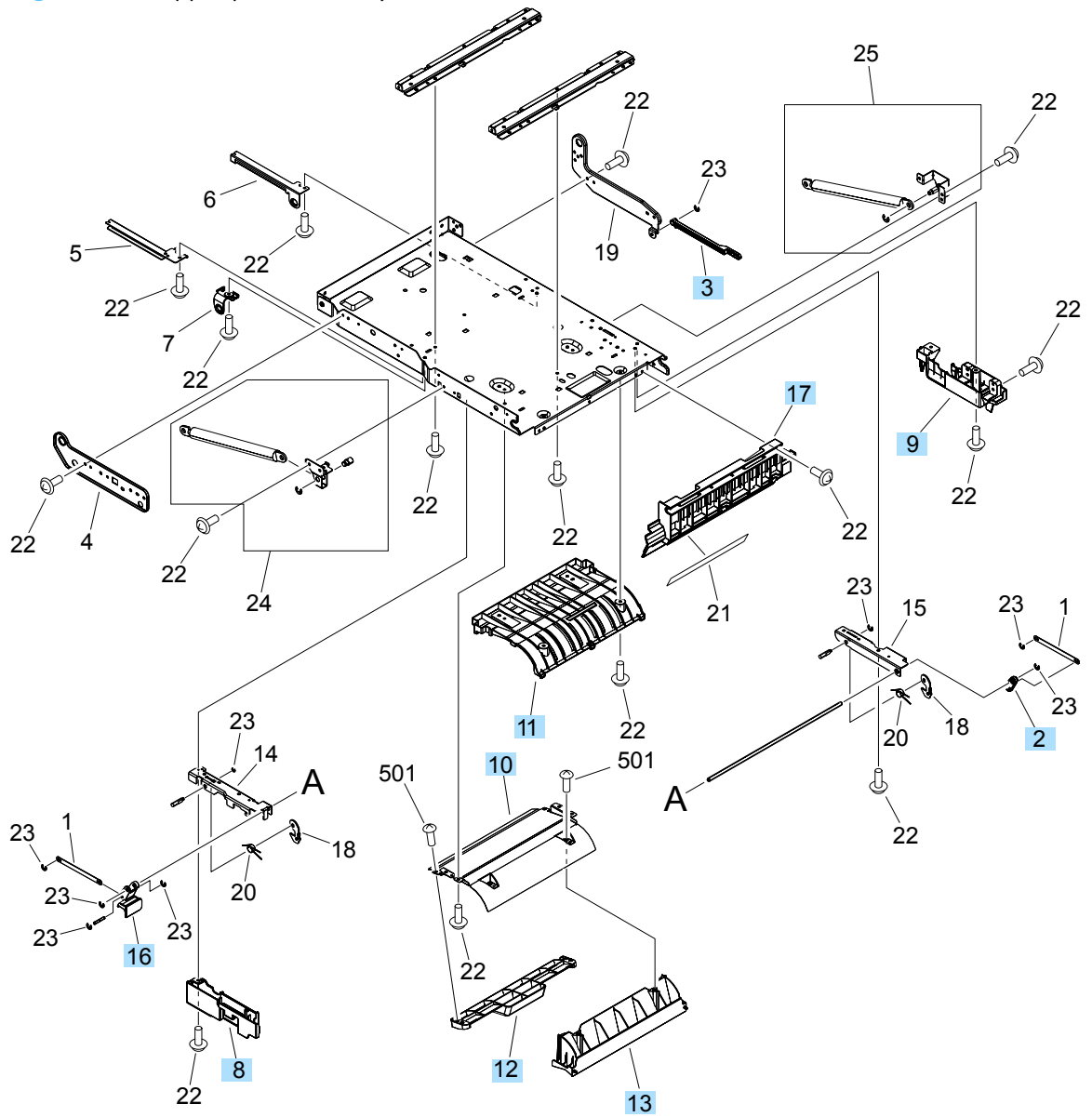


Table 4-7 Upper plate assembly¹

Ref	Description	Part number	Qty
2	Link handle (upper plate)	RC1-2822-000CN	1
3	Rod link (upper plate)	RC1-2830-000CN	1
7	Block, guide support (upper plate)	RC1-3102-000CN	1
8	Cover, front lock IS (upper plate)	RM1-7394-000CN	1
9	Cover, rear lock IS (upper plate)	RC2-8027-000CN	1
10	Upper cartridge guide (upper plate)	RC2-8028-000CN	1
11	Legal size guide (upper plate)	RC2-8029-000CN	1
12	Cartridge support 1 (upper plate)	RC2-8030-000CN	1
13	Cartridge support 2 (upper plate)	RC2-8031-000CN	1
16	Handle lock (upper plate)	RC2-8096-000CN	1
17	Right shutter holder (upper plate)	RC2-8097-000CN	1

¹ To order available fasteners for this component, see [Fasteners used in this product on page 656](#).