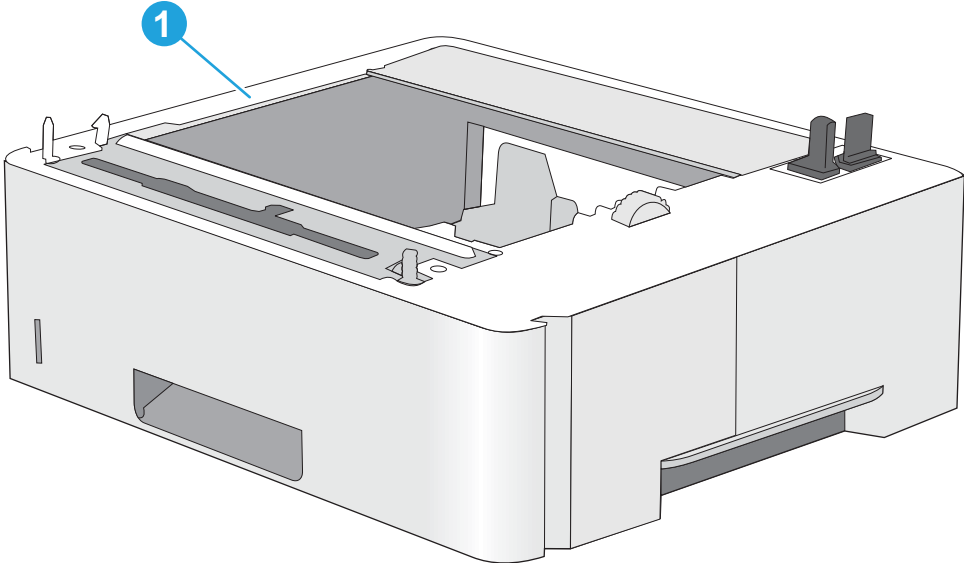


# Parts and diagrams: Accessories

## 1x550-sheet paper feeder



**Table 2-11 1x550-sheet paper feeder**

| <b>Ref</b> | <b>Description</b>                    | <b>Part number</b> | <b>Qty</b> |
|------------|---------------------------------------|--------------------|------------|
| 1          | 1x550-sheet paper feeder (whole unit) | F2A72-67901        | 1          |