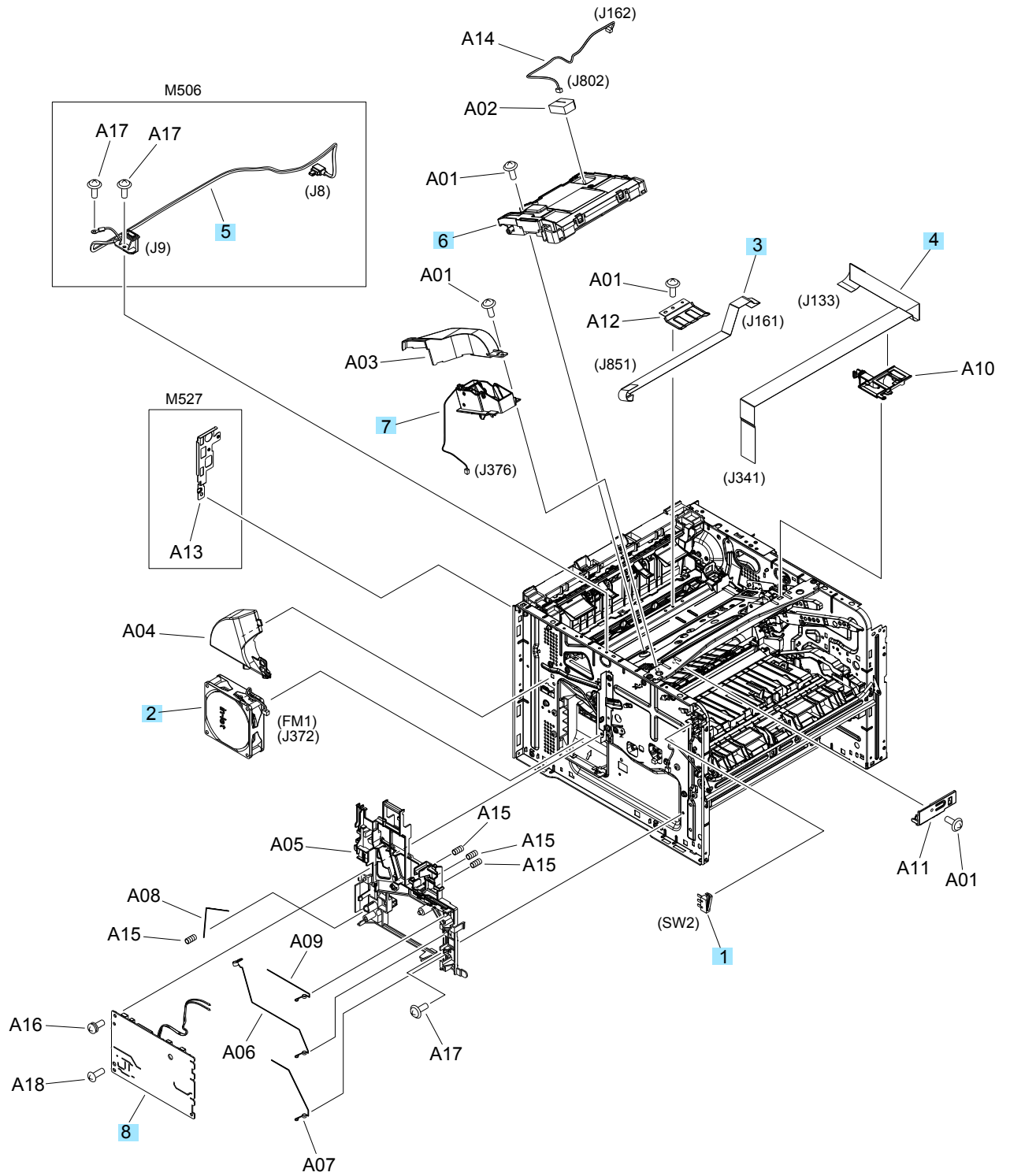


# Parts and diagrams: Internal assemblies

## Internal assemblies (1 of 4)



**Table 2-7 Internal assemblies (1 of 4)**

<b>Ref</b>	<b>Description</b>	<b>Part number</b>	<b>Qty</b>
1	Microswitch	RK2-0535-000CN	1
2	Fan (FM1)	RK2-8068-000CN	1
3	Cable, flat-flexible	RK2-6259-000CN	1
4	Cable, flat-flexible	RK2-6260-000CN	1
5	Cable, USB (M506)	RK2-7067-000CN	1
6	Laser/scanner assembly	RM2-5528-000CN	1
7	Cable, TAG assembly	RM2-5702-000CN	1
8	Power supply, high-voltage (HVPS)	RM2-7945-000CN	1