

Internal assemblies (3 of 4)

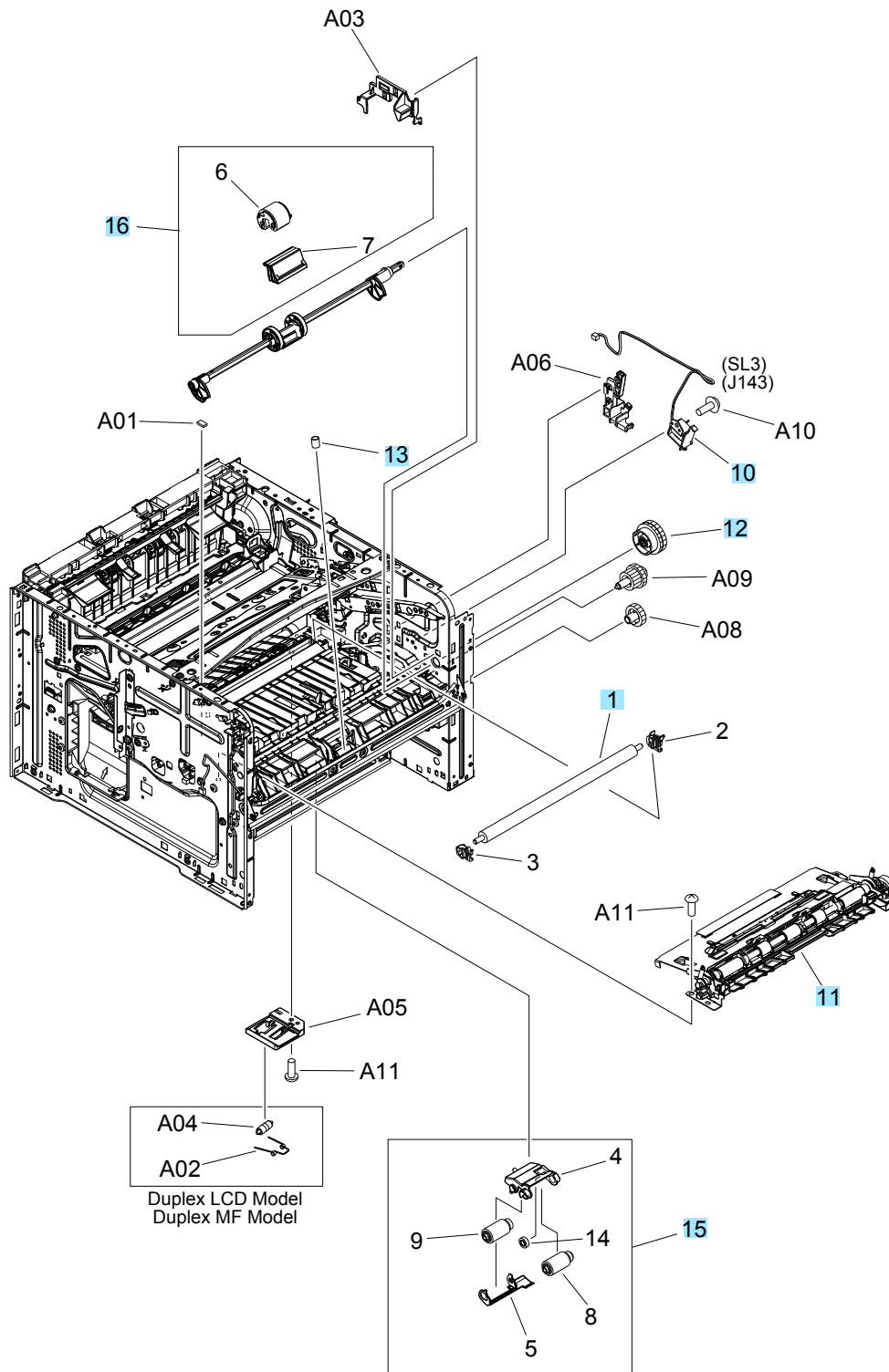


Table 2-9 Internal assemblies (3 of 4)

Ref	Description	Part number	Qty
1	Roller, transfer kit	F2A68-67910	1
10	Solenoid assembly (M501/M506)	RM1-5421-000CN	1
11	Registration assembly	RM2-5671-000CN	1
12	Gear, multi-purpose	RM2-5700-000CN	1
13	Spring, compression (included in the multipurpose tray roller and separation pad kit)	RU8-2935-000CN	1
15	Roller, Tray 2-3 kit (M501)	J8H60-67903	1
15	Roller, Tray 2-x kit (M506/M527)	F2A68-67913	1
16	Roller and pad, Tray 1 pickup and separation pad kit	F2A68-67914	1
Not shown	Stapler unit (M527)	B5L46-60102	1
Not shown	Cable, stapler 6-pin (M527)	F2A76-60113	1
Not shown	Near-field communications (NFC) PCA (M527)	B5L24-60001	1
Not shown	Bracket, WiFi PCA (M506z/M527)	F2A76-40007	1
Not shown	Cable, WiFi PCA (M506z/M527)	F2A76-60112	1
Not shown	Wireless embedded PCA (M506z/M527)	1150-7968	1