

ADF and scanner assemblies

Figure 2-4 ADF and scanner assemblies

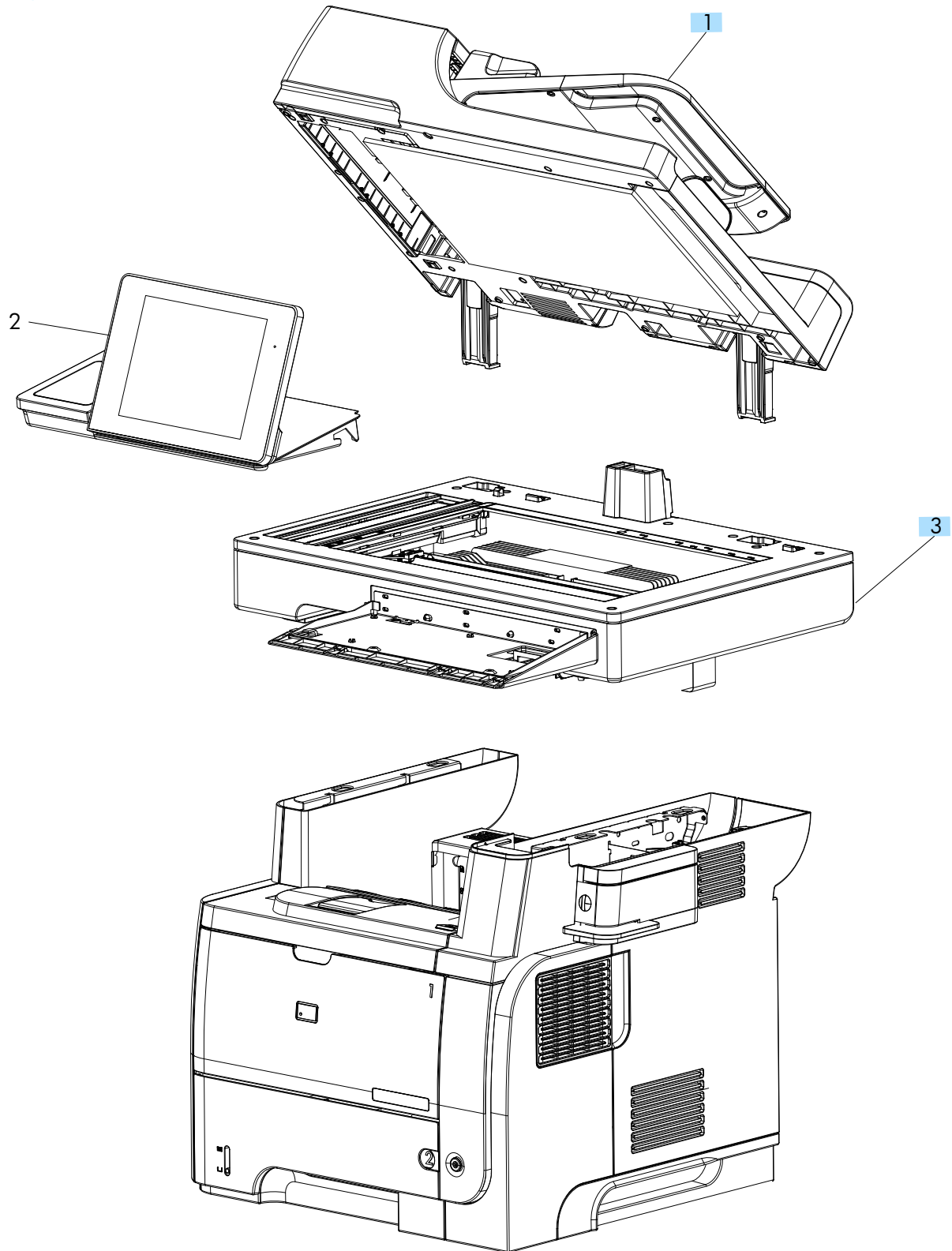


Table 2-8 ADF and scanner assemblies

Ref	Description	Part number	Qty
1	ADF whole unit kit	CF116-67910	1
3	Scanner whole unit	CF116-67918	1