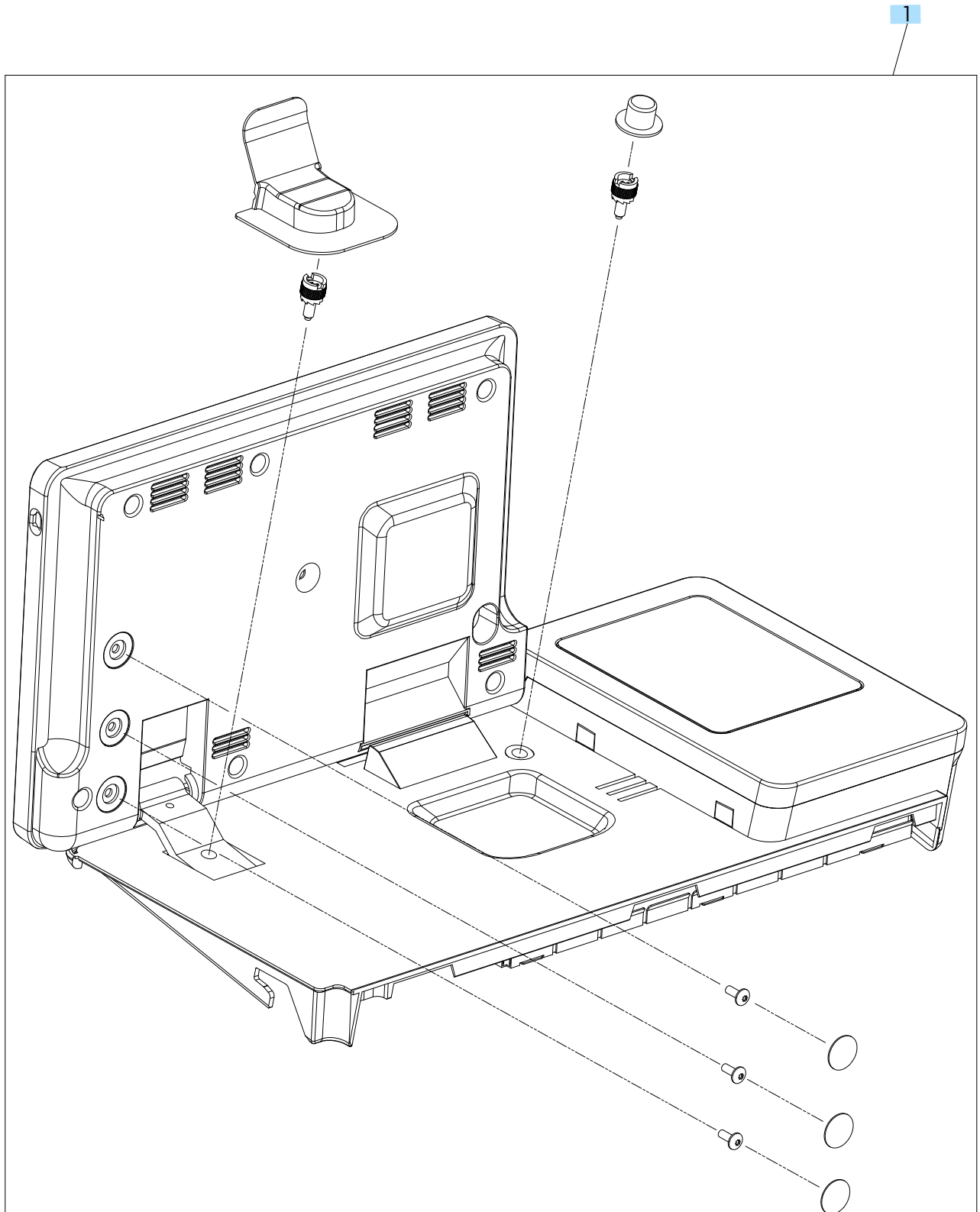


# Control panel assembly

Figure 2-5 Control panel assembly



**Table 2-9 Control panel assembly**

| <b>Ref</b> | <b>Description</b>   | <b>Part number</b> | <b>Qty</b> |
|------------|--|--------------------|------------|
| 1          | Control panel assembly kit   | CD644-67916        | 1          |
| Not shown  | Control-panel cable (see <a href="#">Control-panel cable on page 103</a> ) | CF116-60105        | 1          |