

Internal assemblies (2 of 6)

Figure 2-9 Internal assemblies (2 of 6)

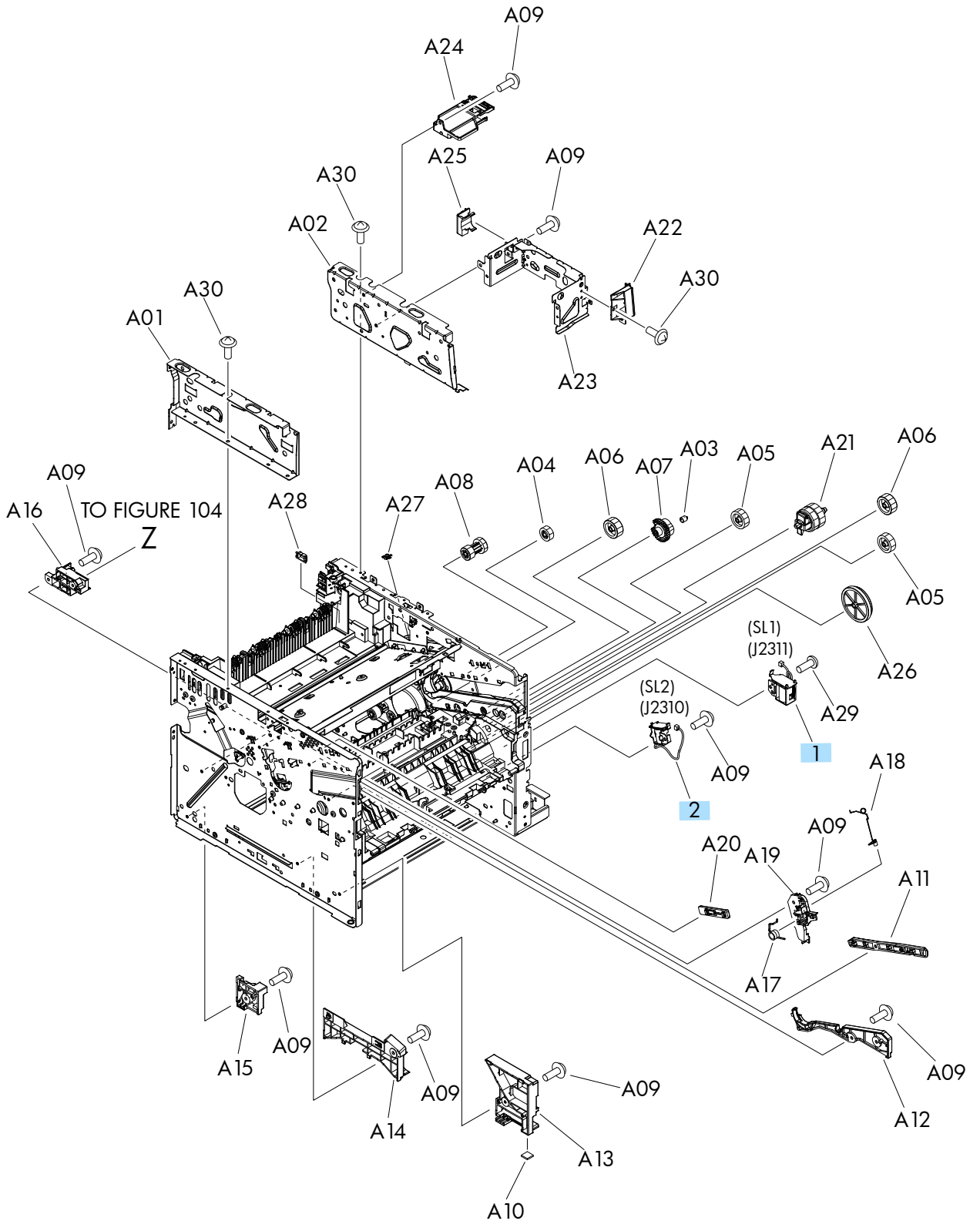


Table 2-13 Internal assemblies (2 of 6)

Ref	Description	Part number	Qty
1	Tray 1 solenoid	RK2-1490-000CN	1
2	Tray 2 solenoid	RK2-1492-000CN	1