

Internal assemblies (3 of 6)

Figure 2-10 Internal assemblies (3 of 6)

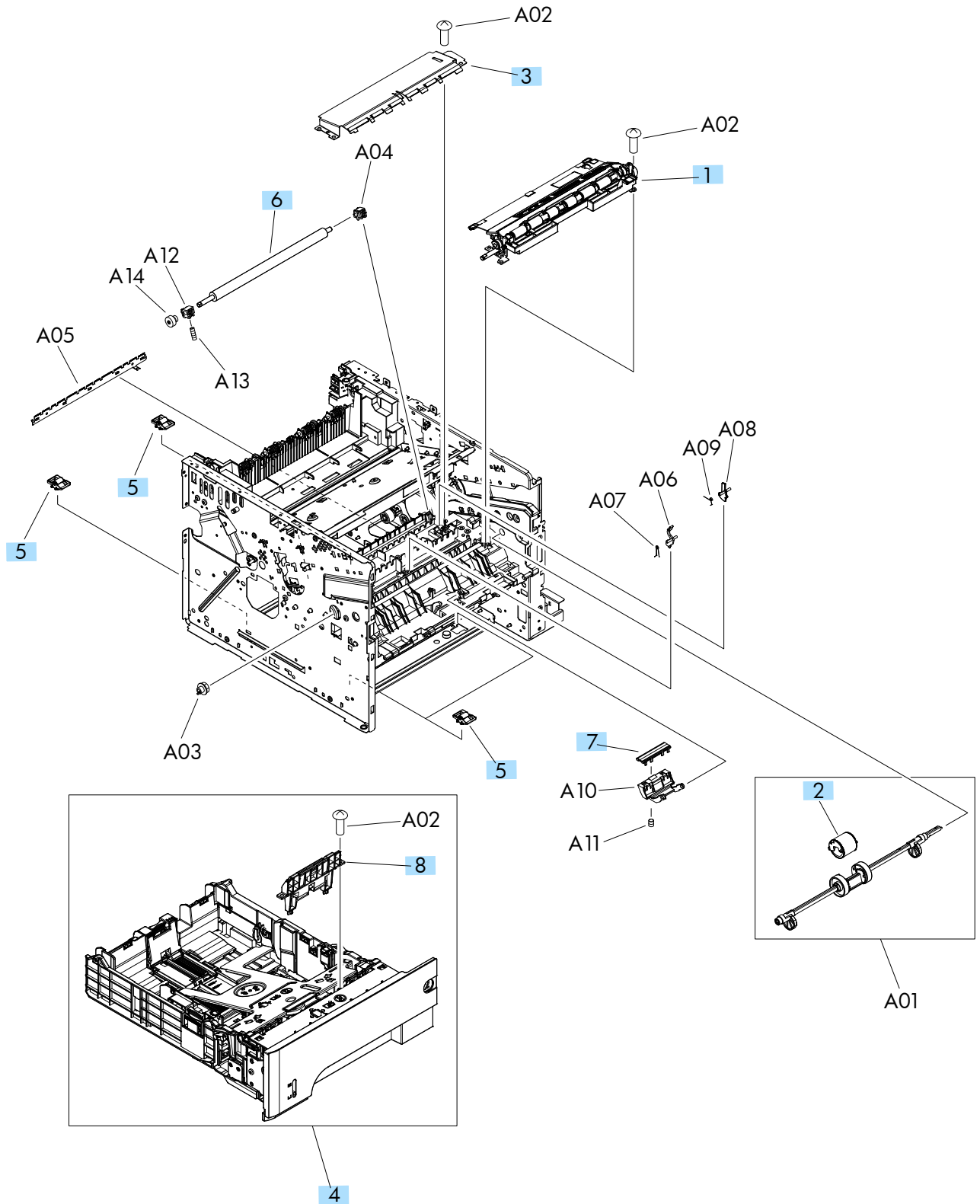


Table 2-14 Internal assemblies (3 of 6)

| Ref | Description | Part number | Qty |
|------------|-------------------------------|--------------------|------------|
| 1 | Registration roller assembly | RM1-8507-000CN | 1 |
| 2 | Roller, multipurpose | RL1-2412-000CN | 1 |
| 3 | Transfer lower guide assembly | RM1-6315-000CN | 1 |
| 4 | Cassette, Tray 2 | RM1-8512-000CN | 1 |
| 5 | Base plate roller assembly | RM1-6306-000CN | 4 |
| 6 | Roller, transfer | RM1-6321-000CN | 1 |
| 7 | Pad, multipurpose separation | RC2-8575-000CN | 1 |
| 8 | Separation holder assembly | RM1-6303-000CN | 1 |