

Scanner assemblies

Figure 2-7 Scanner assemblies

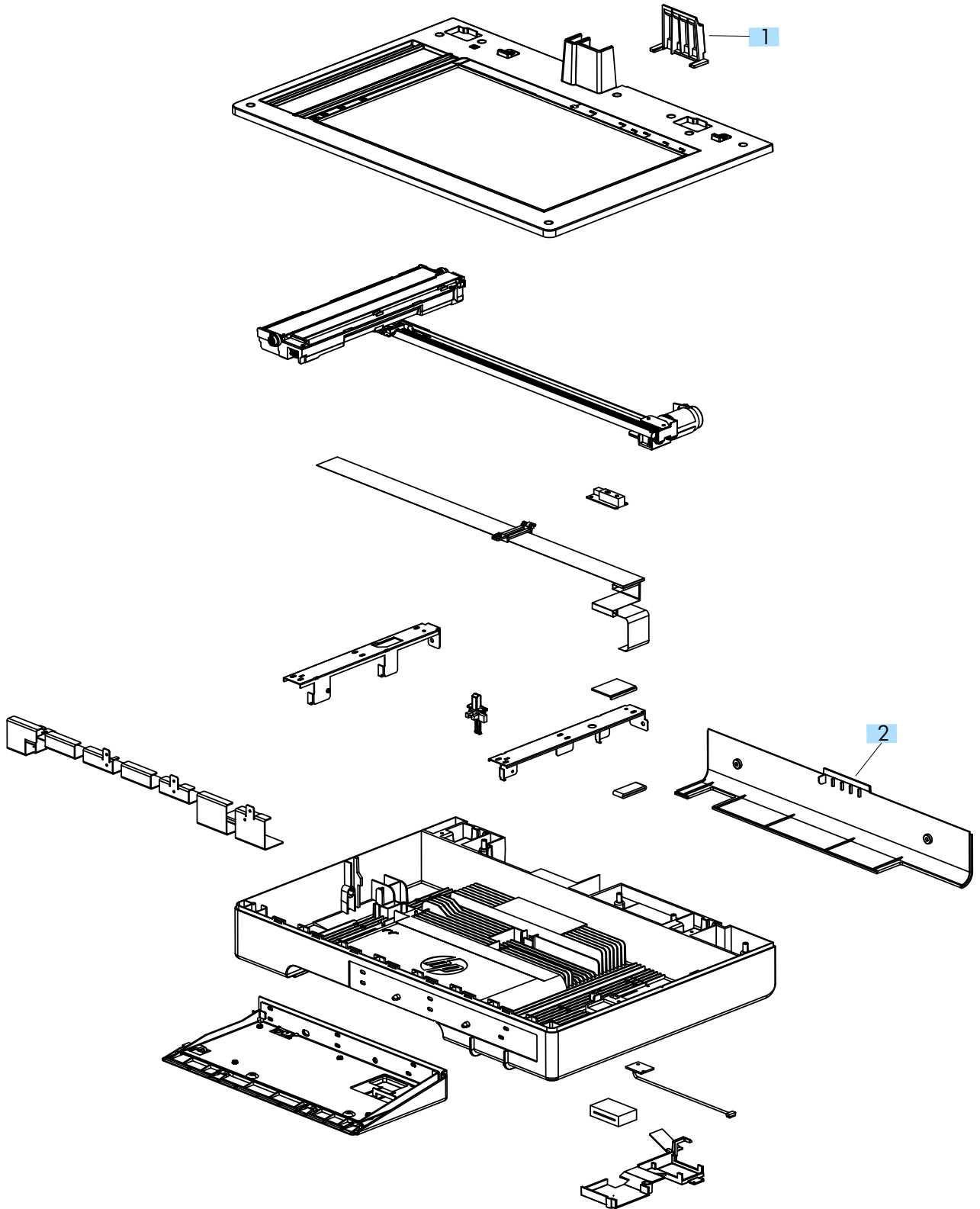


Table 2-11 Scanner assemblies

Ref	Description	Part number	Qty
1	Cover, ADF cable (asset chimney)	5851-0630	1
2	Cover, rear scanner (rear cover)	CF116-40002	1
Not shown	PCA, scanner memory (see Scanner memory PCA (memory board kit) on page 79)	CF116-67923	1
Not shown	Cave light	CF116-60104	1