

Main body (1x500)

Figure 4-18 Main body (1x500)

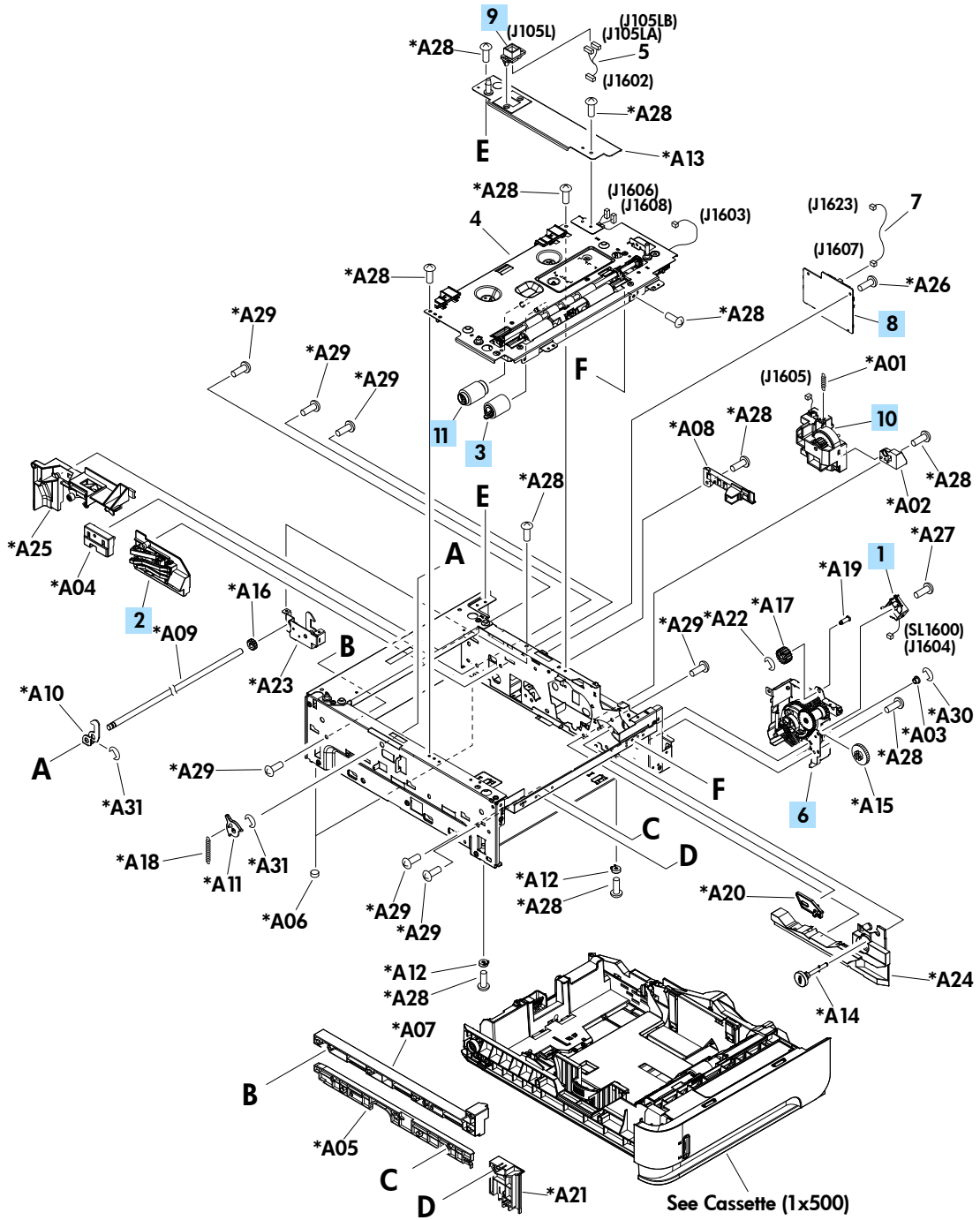


Table 4-19 Main body (1x500)

Ref	Description	Part number	Qty
1	Solenoid (1x500)	RK2-0270-000CN	1
2	Size detect assembly (1x500)	RM1-4525-000CN	1
3	Roller, paper feed assembly (1x500)	RM1-0037-020CN	1
6	Plate, pickup drive side assembly (1x500)	RM1-8441-000CN	1
8	PCA, Feeder (1x500)	RM1-8302-000CN	1
9	Connector, drawer 6P (1x500)	VS1-7500-006CN	1
10	Lifter drive assembly (1x500)	RM1-1094-050CN	1
11	Roller, paper pickup assembly (1x500)	RM1-0036-020CN	1