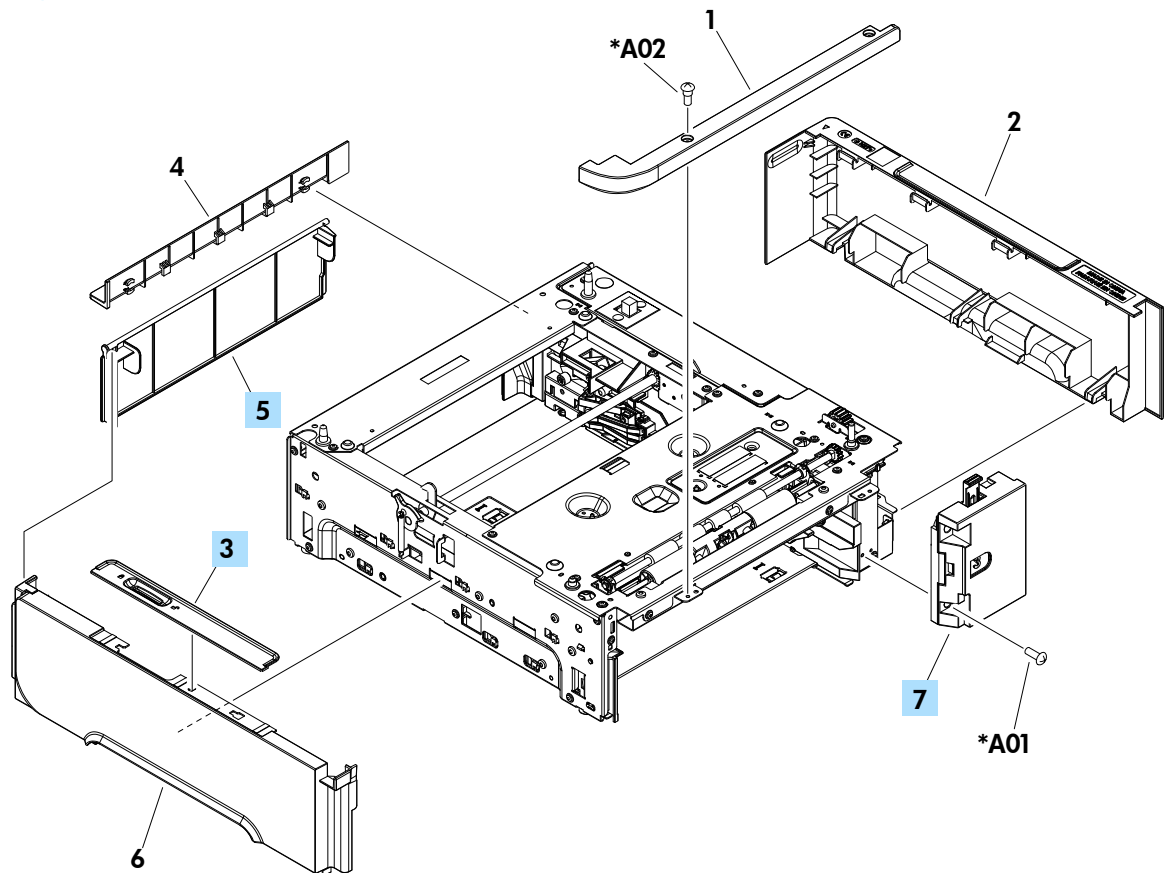


# Input devices

## 1x500-sheet feeder

### Covers (1x500)

Figure 4-17 Covers (1x500)



**Table 4-18 Covers (1x500)**

<b>Ref</b>	<b>Description</b>	<b>Part number</b>	<b>Qty</b>
3	Cover, lock (1x500)	RC2-2584-000CN	1
5	Cover, legal (1x500)	RC2-5239-000CN	1
7	Number dial assembly (1x500)	RM1-4591-000CN	1