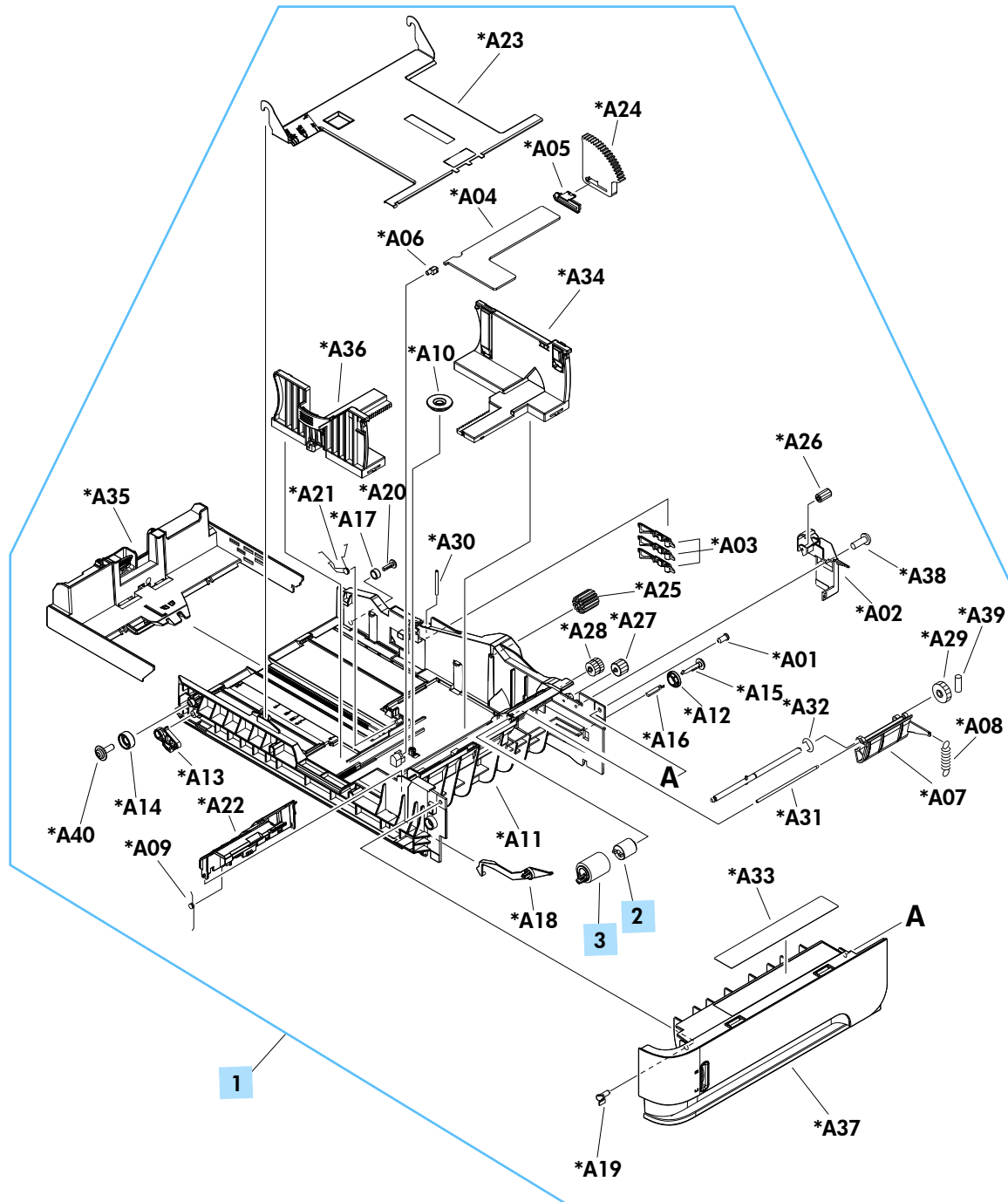


## Cassette (Tray 2)

Figure 4-9 Cassette (Tray 2)



**Table 4-10 Cassette (Tray 2)**

<b>Ref</b>	<b>Description</b>	<b>Part number</b>	<b>Qty</b>
1	Cassette (Tray 2)	RM1-4559-020CN	1
2	Torque limiter (Tray 2)	RC2-5771-000CN	1
3	Roller, paper feed assembly (Tray 2)	RM1-0037-020CN	1