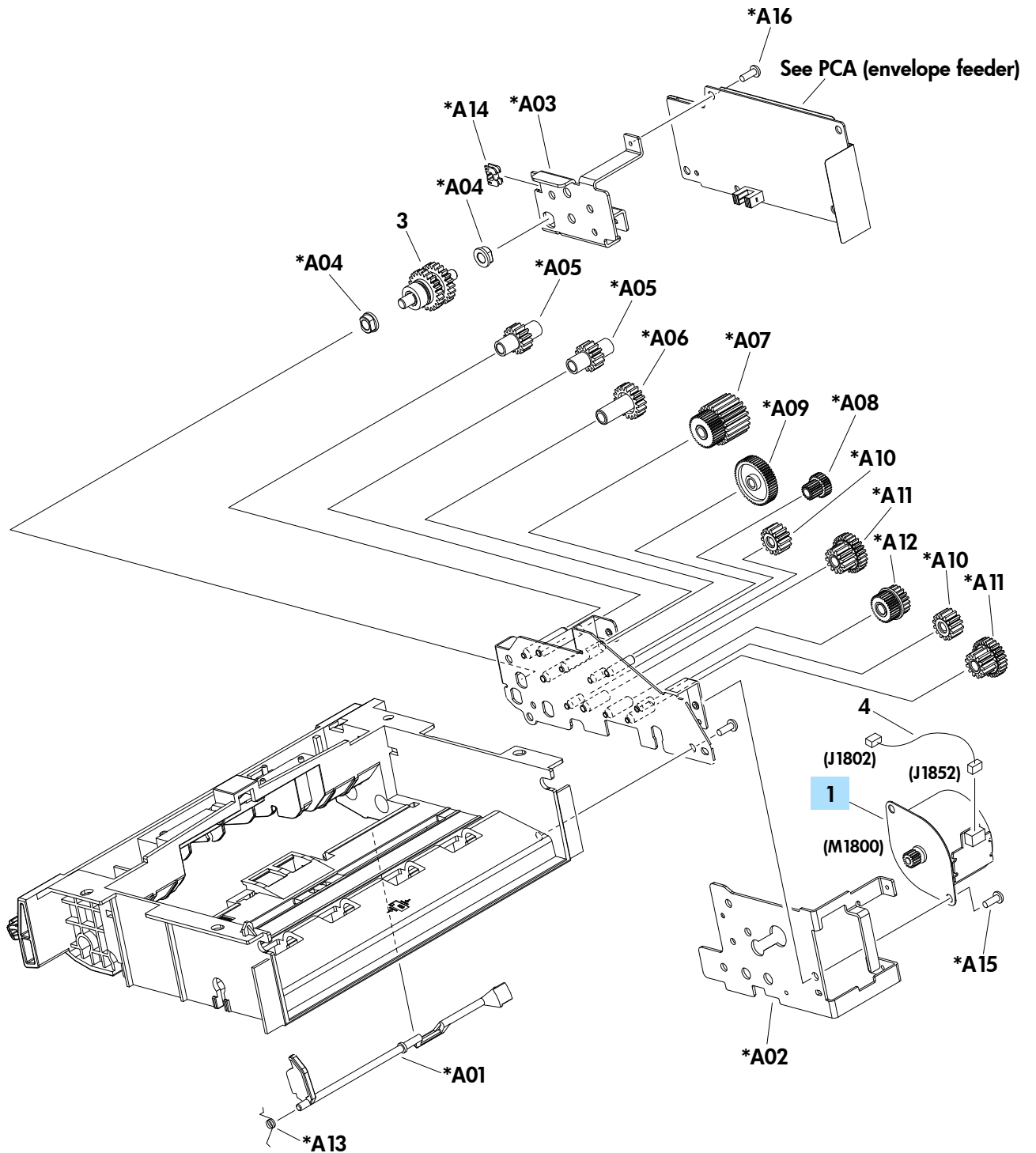


## Main body (2 of 2; envelope feeder)

Figure 4-31 Main body (2 of 2; envelope feeder)



**Table 4-32 Main body (2 of 2; envelope feeder)**

<b>Ref</b>	<b>Description</b>	<b>Part number</b>	<b>Qty</b>
1	Motor, stepping, DC 24V (M1800) (envelope feeder)	RK2-2162-000CN	1