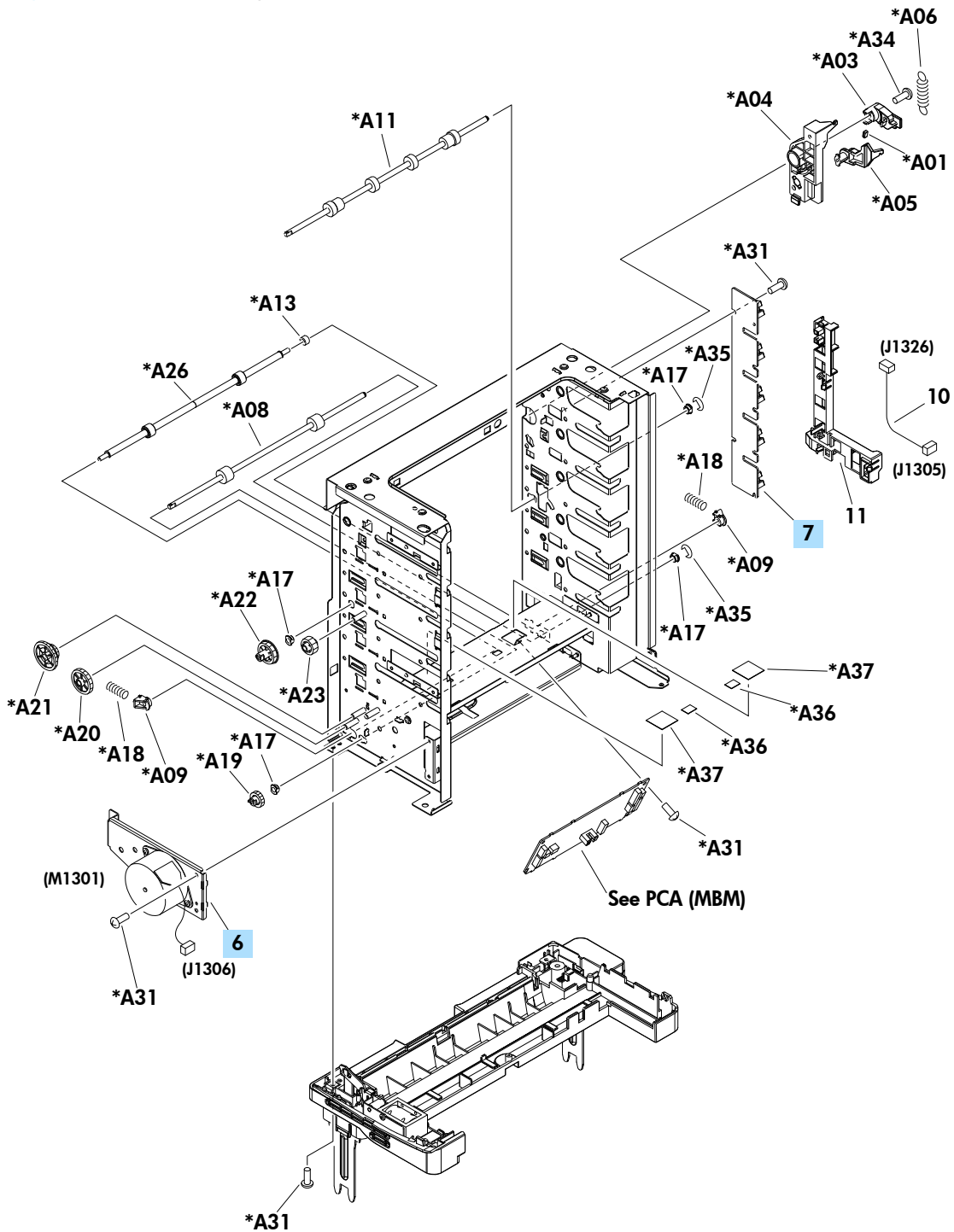


## Main body (MBM; 2 of 2)

Figure 4-35 Main body (MBM; 2 of 2)



**Table 4-36 Main body (MBM; 2 of 2)**

<b>Ref</b>	<b>Description</b>	<b>Part number</b>	<b>Qty</b>
6	Drive assembly (MBM)	RM1-5267-000CN	1
7	Sensor assembly (MBM)	RM1-5096-000CN	1