

Paper delivery assembly

Figure 4-14 Paper delivery assembly

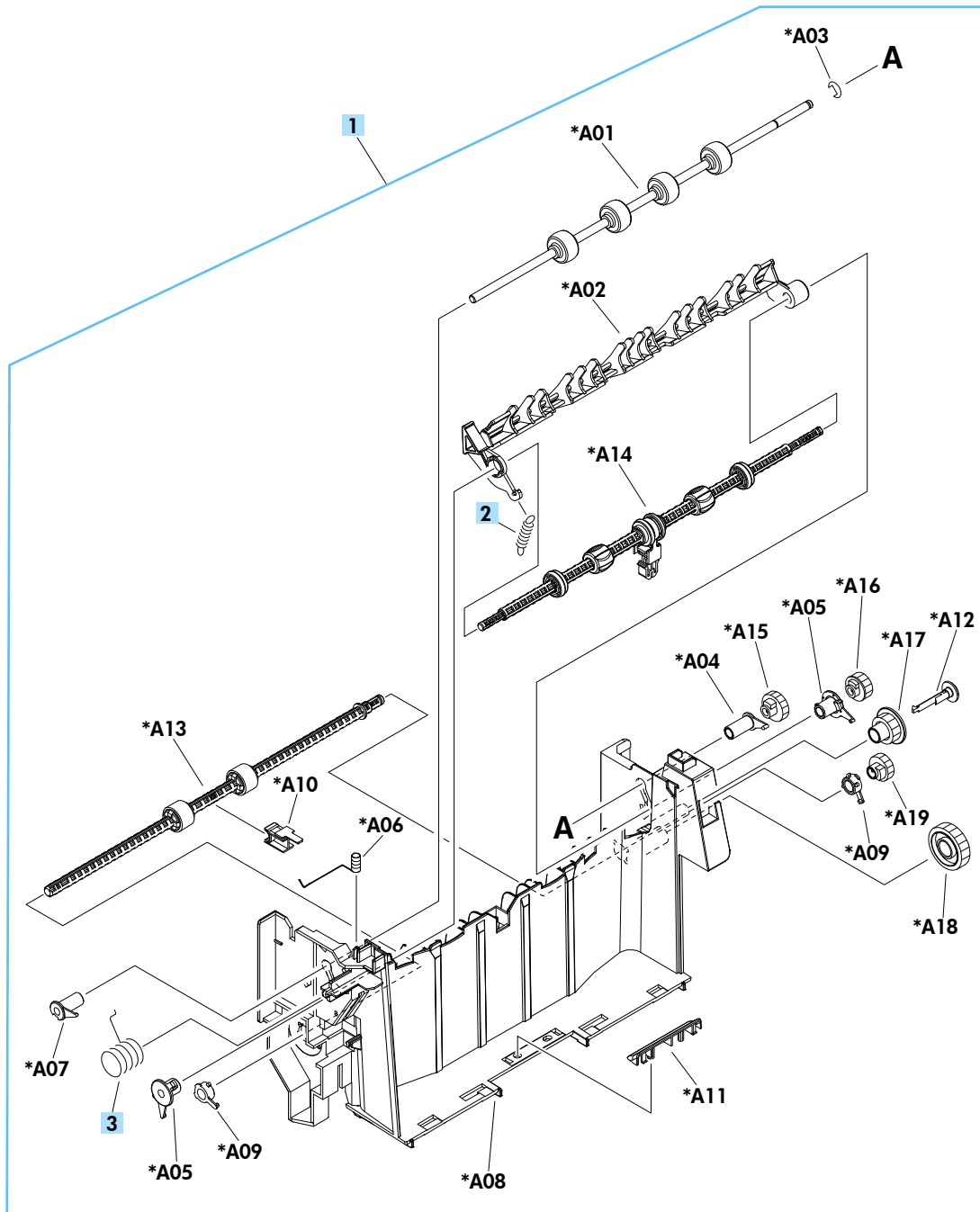


Table 4-15 Paper delivery assembly

Ref	Description	Part number	Qty
1	Paper delivery assembly	RM1-8414-000CN	1
2	Spring, tension	RC1-0133-000CN	1
3	Spring, grounding	RU6-2105-000CN	1