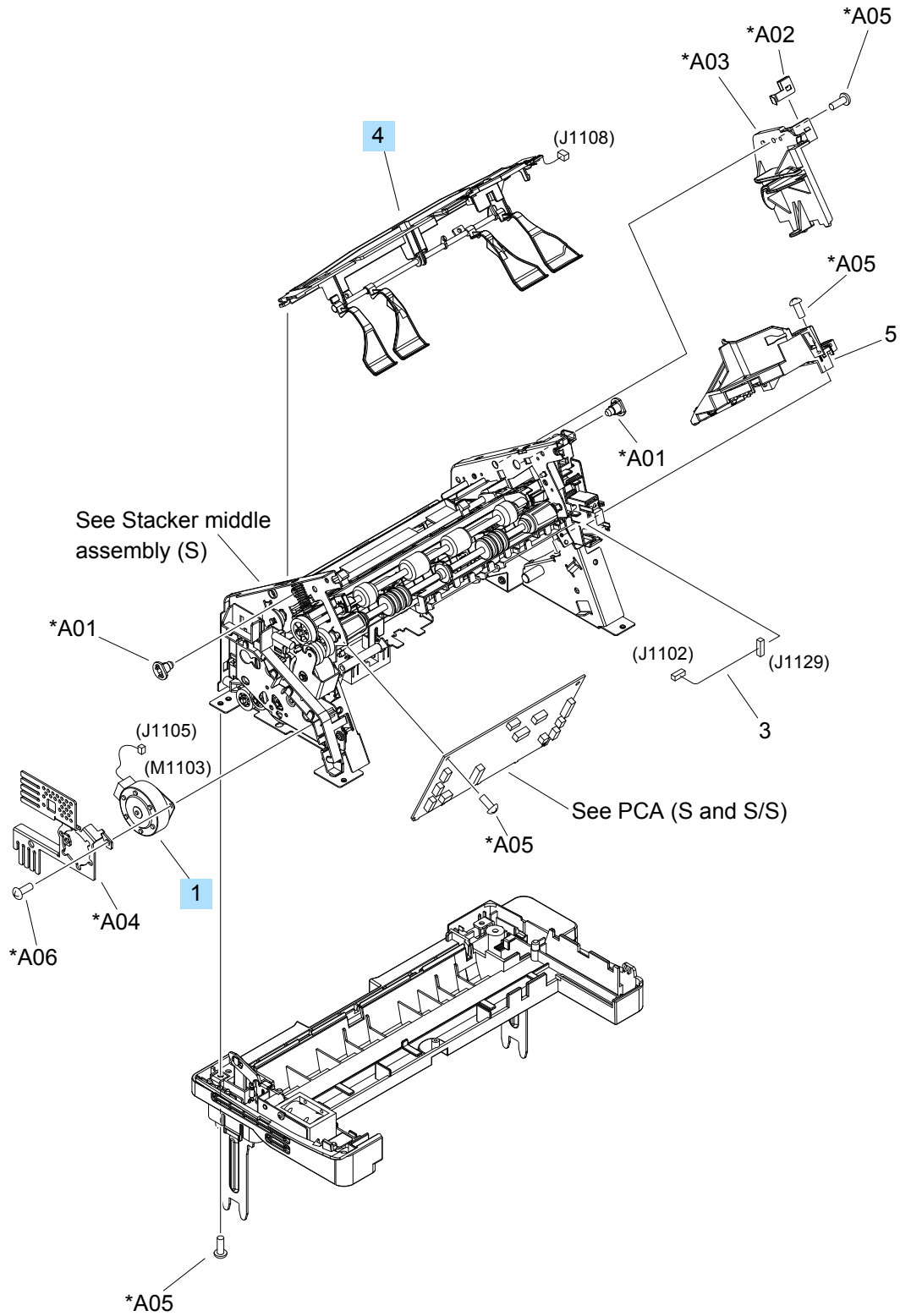


## Main body (S)

Figure 4-39 Main body (S)



**Table 4-40 Main body (S)**

<b>Ref</b>	<b>Description</b>	<b>Part number</b>	<b>Qty</b>
1	Motor, stepping, DC 24V (M1103) (S)	RK2-2025-000CN	1
5	Stapler mount assembly (S)	RM1-4676-000CN	1