

Stacker middle assembly (1 of 2; S)

Figure 4-42 Stacker middle assembly (1 of 2; S)

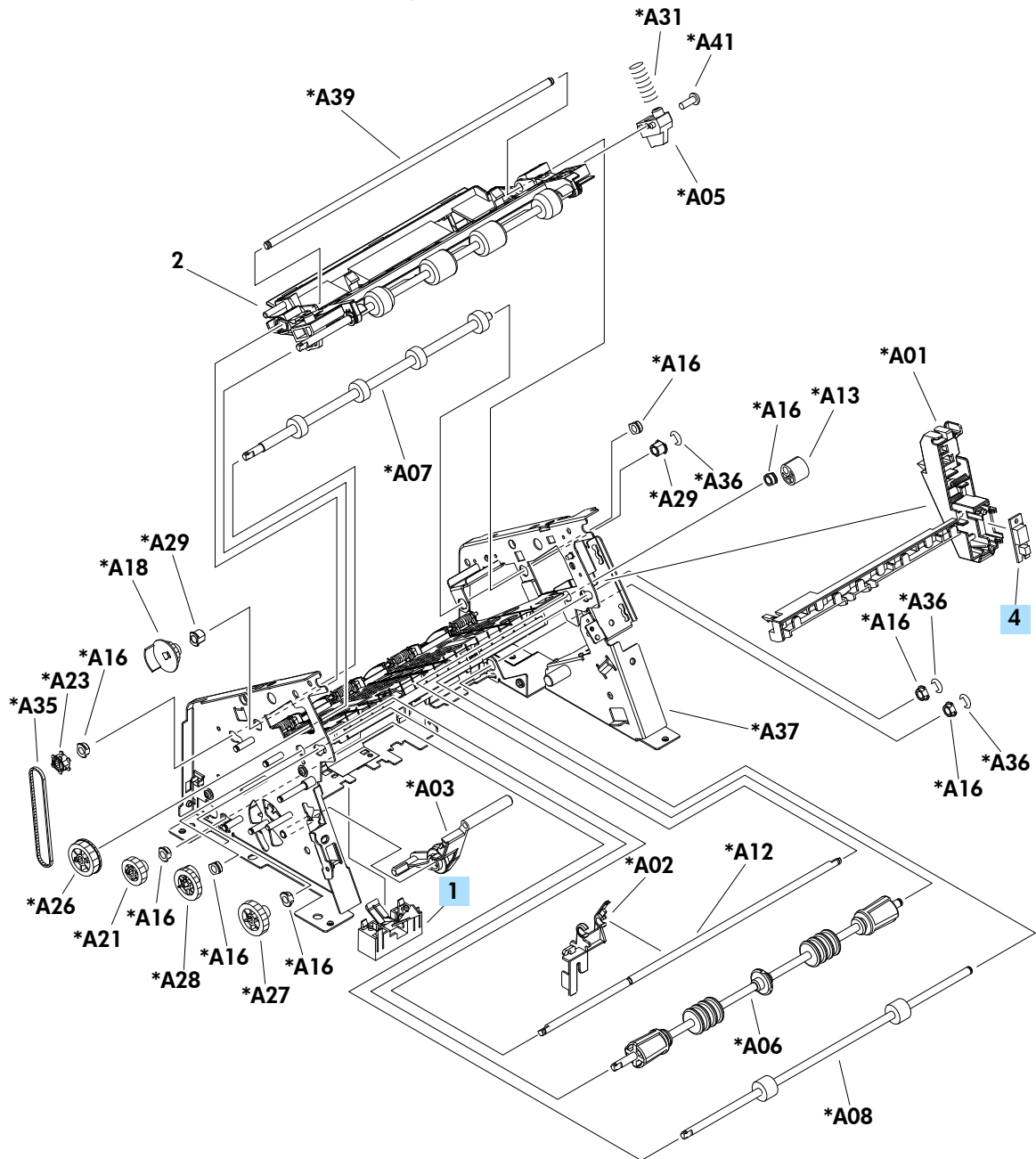


Table 4-43 Stacker middle assembly (1 of 2; S)

Ref	Description	Part number	Qty
1	Flag, paper sensing assembly (S)	RM1-0239-000CN	1
4	LED PCA (S)	RG1-4266-030CN	1