

Stacker and Stapler/Stacker (S and S/S)

Covers (S and S/S)

Figure 4-37 Covers (S and S/S)

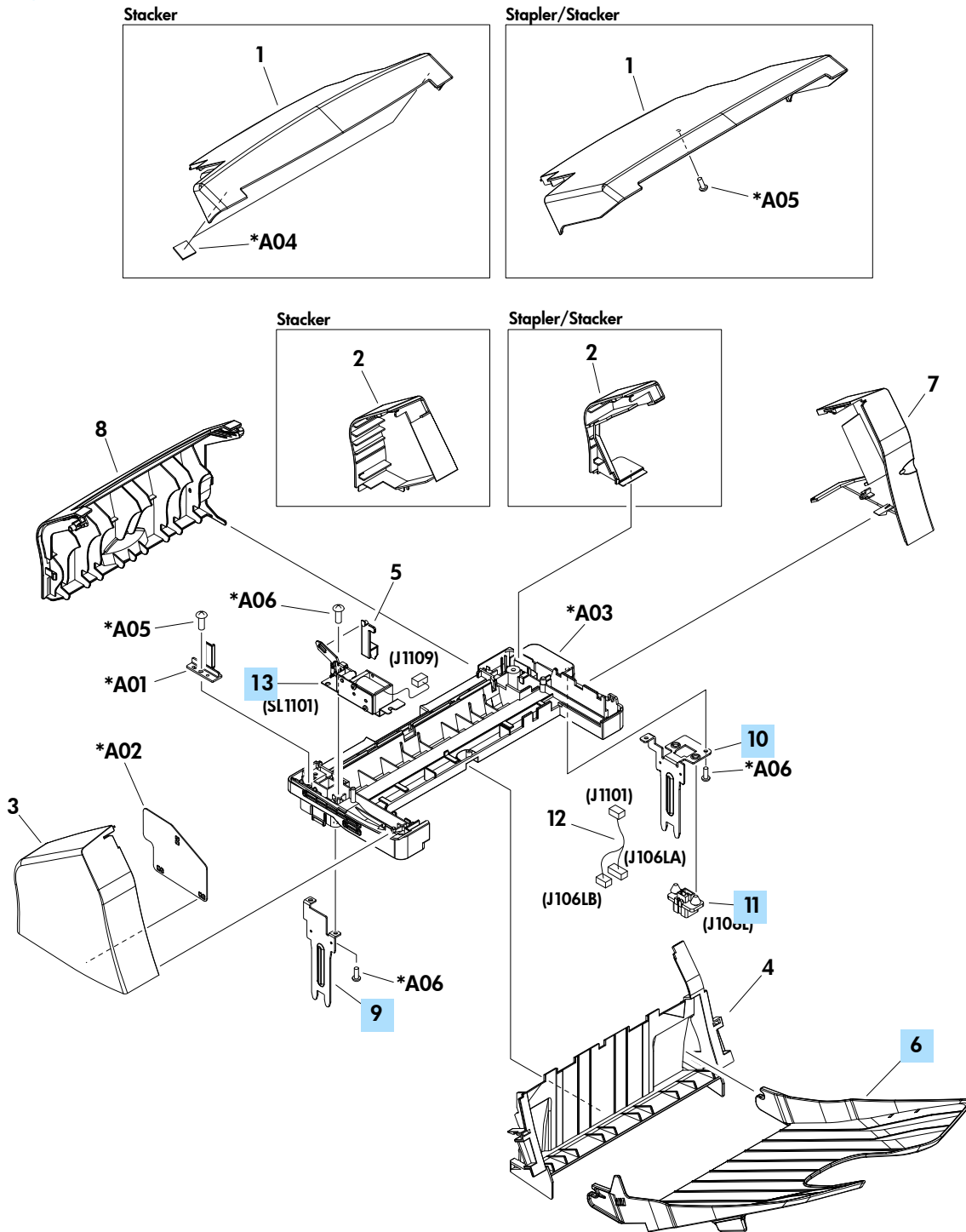


Table 4-38 Covers (S and S/S)

Ref	Description	Part number	Qty
6	Tray assembly (S and S/S)	RM1-4671-000CN	1
9	Joint, left (S and S/S)	RL1-1703-000CN	1
10	Joint, right (S and S/S)	RL1-1704-000CN	1
11	Connector 8P (S and S/S)	VS1-7500-008CN	1
13	Solenoid assembly, IN (S and S/S)	RM1-5270-000CN	1