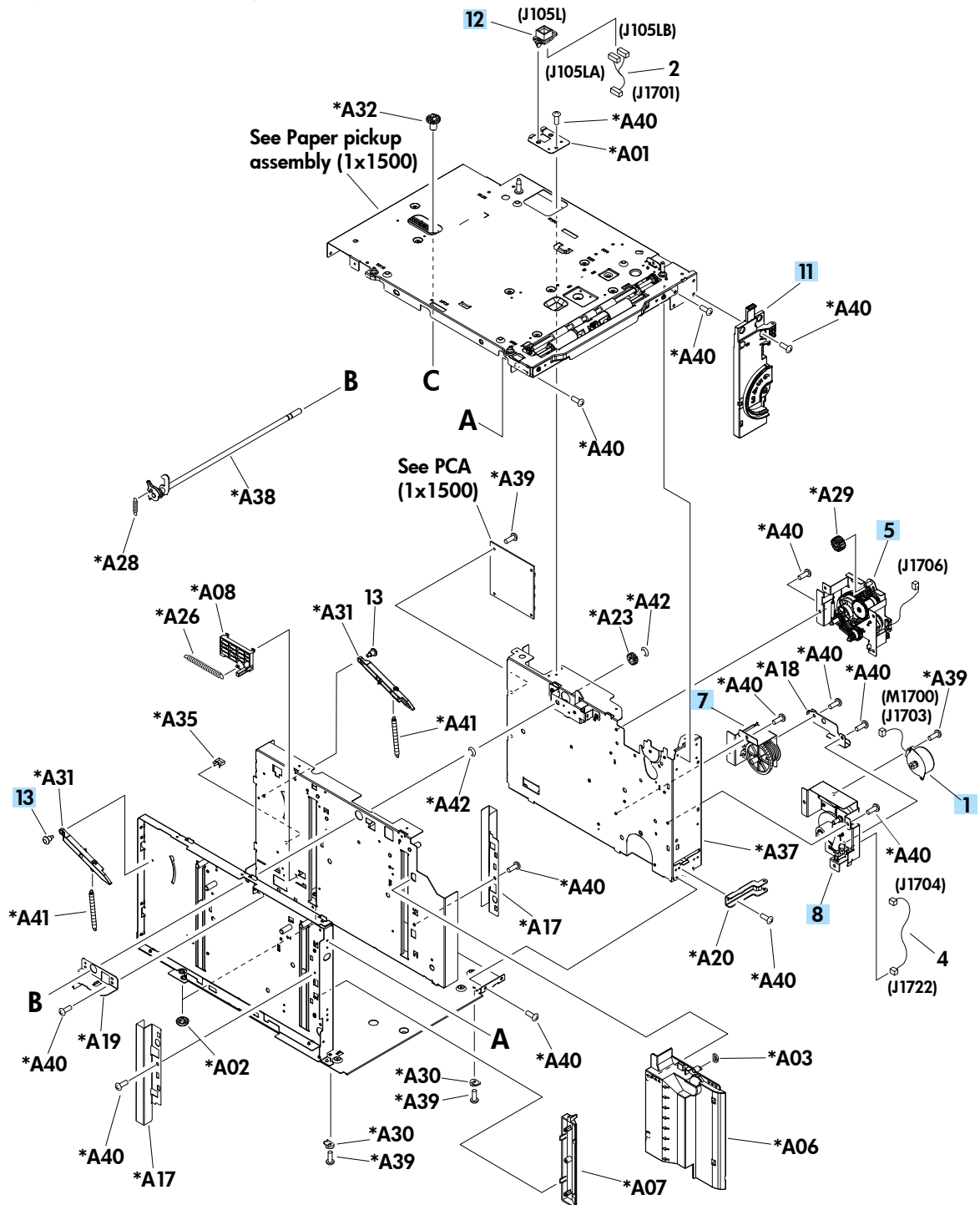


## Main body (1x500; 1 of 2)

Figure 4-23 Main body (1x500; 1 of 2)



**Table 4-24 Main body (1x500; 1 of 2)**

<b>Ref</b>	<b>Description</b>	<b>Part number</b>	<b>Qty</b>
1	Motor, stepping (M1700) (1x1500)	RH7-1603-020CN	1
5	Paper pickup drive assembly (1x1500)	RM1-8457-000CN	1
7	Oil damper assembly (1x1500)	RM1-0289-030CN	1
8	Lifter drive assembly (1x1500)	RM1-8453-000CN	1
11	Numbering assembly (1x1500)	RM1-5265-000CN	1
12	Connector, drawer 6 pin(1x1500)	VS1-7500-006CN	1