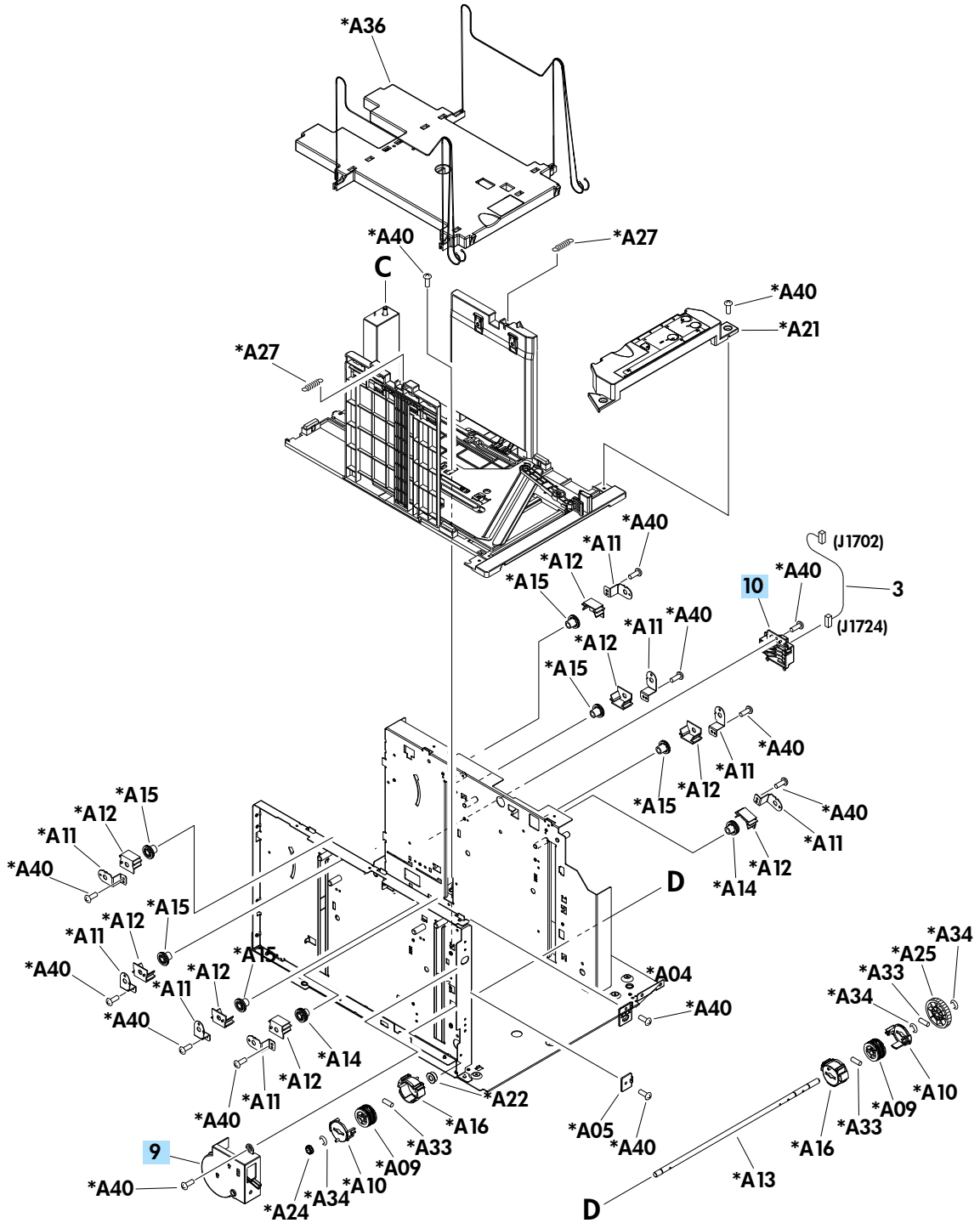


# Main body (1x500; 2 of 2)

Figure 4-24 Main body (1x500; 2 of 2)



**Table 4-25 Main body (1x500; 2 of 2)**

<b>Ref</b>	<b>Description</b>	<b>Part number</b>	<b>Qty</b>
9	Remnant indication assembly (1x1500)	RM1-5259-000CN	1
10	Paper size detect assembly (1x1500)	RM1-5261-000CN	1