

Paper pickup assembly (1x500)

Figure 4-25 Paper pickup assembly (1x500)

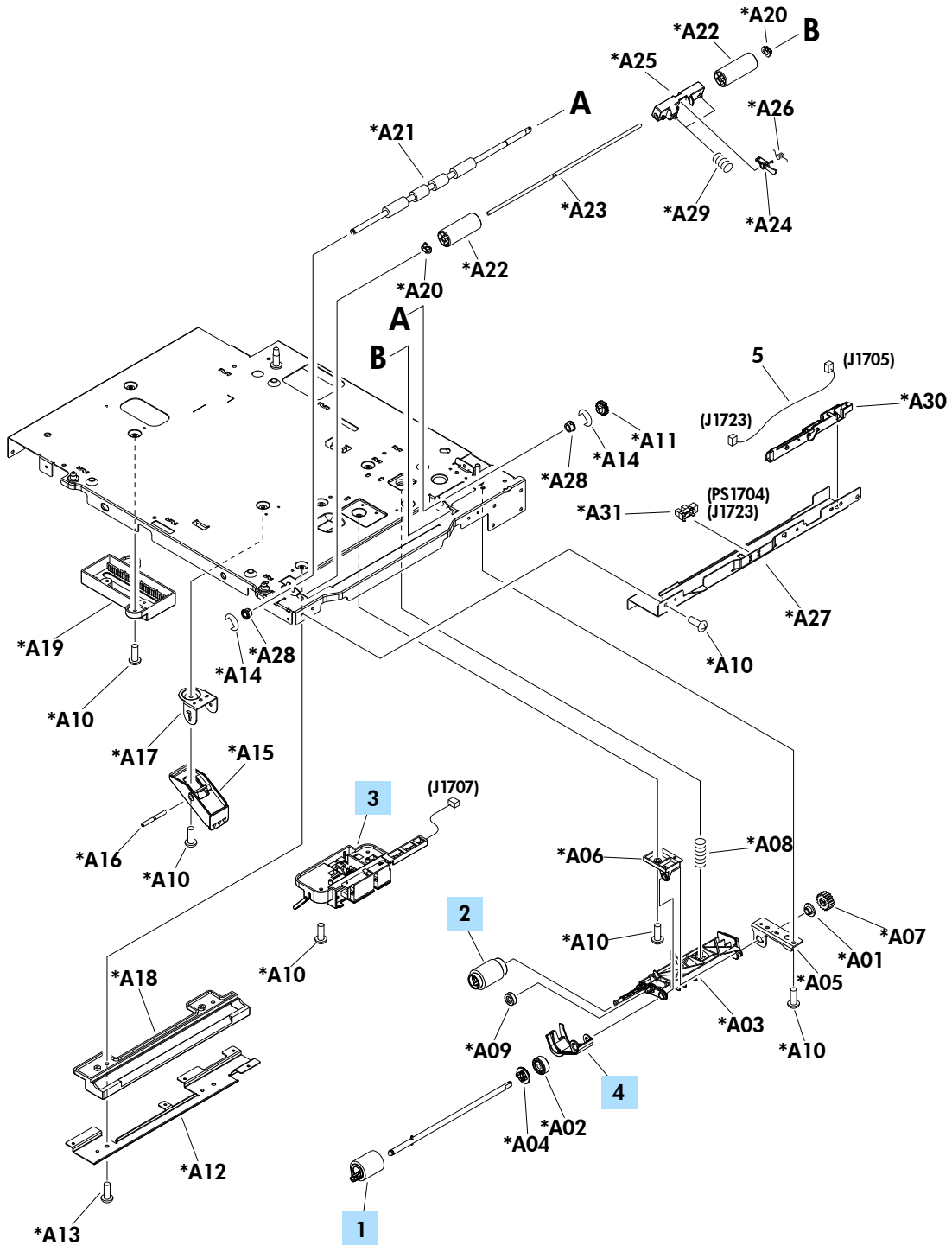


Table 4-26 Paper pickup assembly (1x500)

Ref	Description	Part number	Qty
1	Roller, paper feed assembly (1x1500)	RM1-0037-020CN	1
2	Roller, paper pickup assembly (1x1500)	RM1-0036-020CN	1
3	Paper detect sensor assembly (1x1500)	RM1-8456-000CN	1
4	Flag, paper detect (1x1500)	RC2-2524-000CN	1