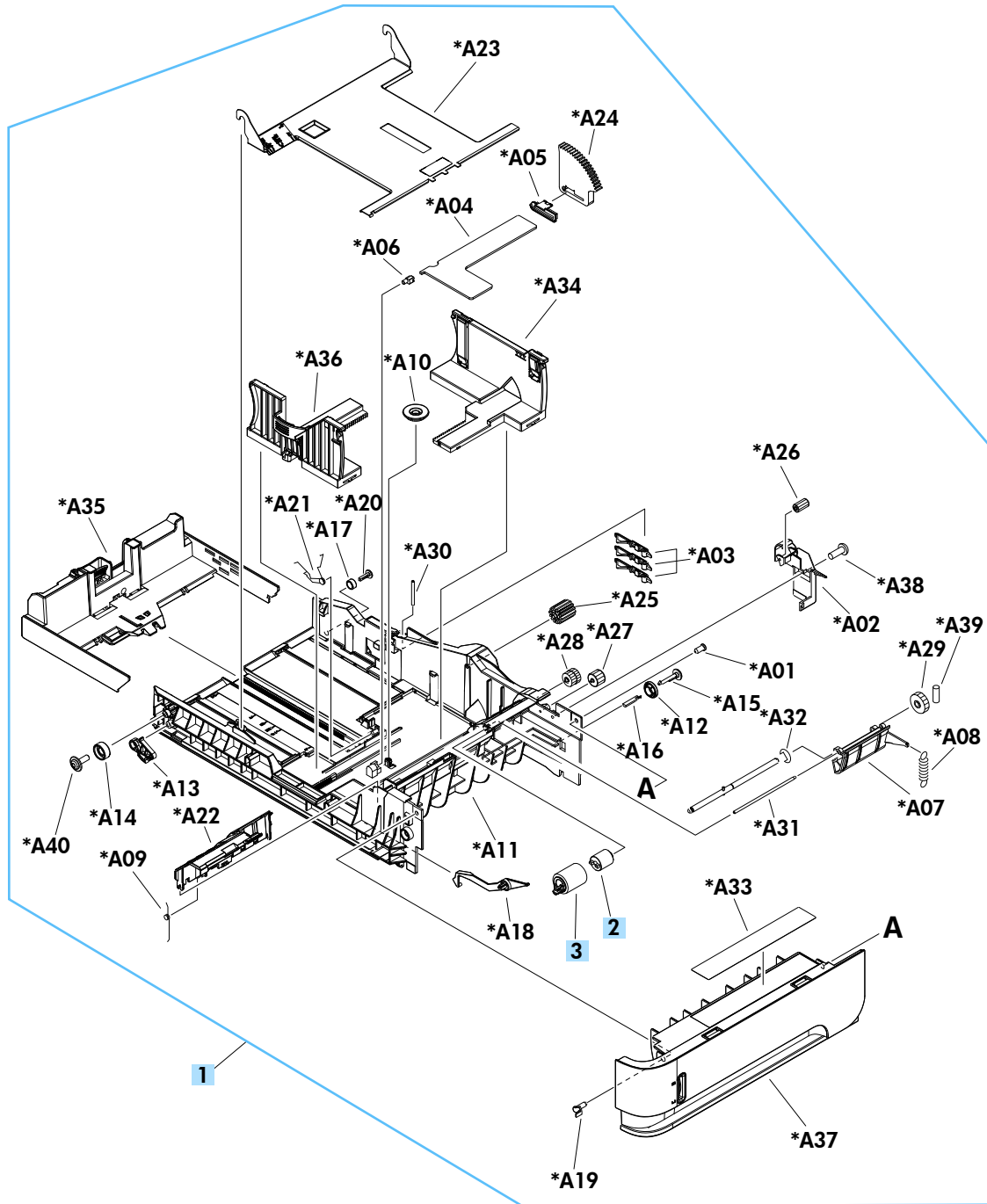


# Cassette (1x500)

Figure 4-19 Cassette (1x500)



**Table 4-20 Cassette (1x500)**

<b>Ref</b>	<b>Description</b>	<b>Part number</b>	<b>Qty</b>
1	Cassette (1x500)	RM1-4559-020CN	1
2	Torque limiter (1x500)	RC2-5771-000CN	1
3	Roller, paper feed assembly (1x500)	RM1-0037-020CN	1