

Covers

Product base

Figure 4-4 Covers

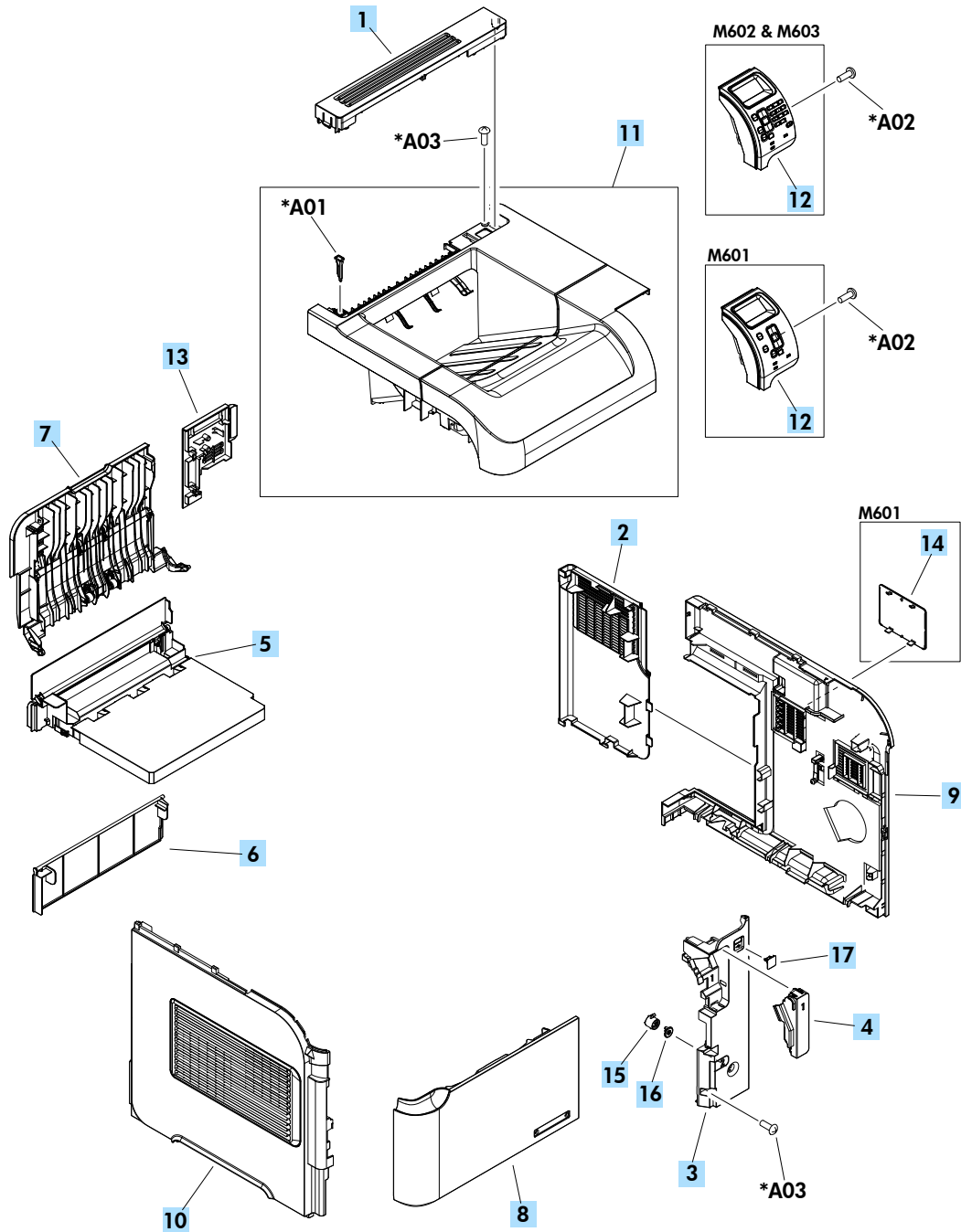


Table 4-5 Covers

Ref	Description	Part number	Qty
1	Cover, option	RC2-2459-000CN	1
2	Cover, formatter	RC2-2468-000CN	1
3	Cover, right front	RC3-1426-000CN	1
4	Cover, envelope connector	RC2-2476-000CN	1
5	Cover, duplexing assembly	RM1-8399-000CN	1
6	Cover, legal	RC2-5239-000CN	1
7	Face-up tray assembly	RM1-8388-000CN	1
8	Cover, front assembly	RM1-8408-000CN	1
9	Cover, right (M602 and M603)	RM1-8400-000CN	1
9	Cover, right (M601)	RM1-8445-000CN	1
10	Cover, left assembly	RM1-8401-000CN	1
11	Cover, top assembly (M602 and M603)	RM1-8394-000CN	1
11	Cover, top assembly (M601)	RM1-8434-000CN	1
12	Control-panel assembly (M602 and M603)	RM1-8289-000CN	1
12	Control-panel assembly (M601)	RM1-8290-000CN	1
13	Cover, right rear	RC2-2478-000CN	1
14	Cover, HIP (M602 and M603)	RC3-1424-000CN	1
15	Button, power	RC3-1430-000CN	1
16	Cap, power button	RC3-1431-000CN	1
17	Cover, USB	RC3-1434-000CN	1