

Fuser assembly

Figure 4-15 Fuser assembly

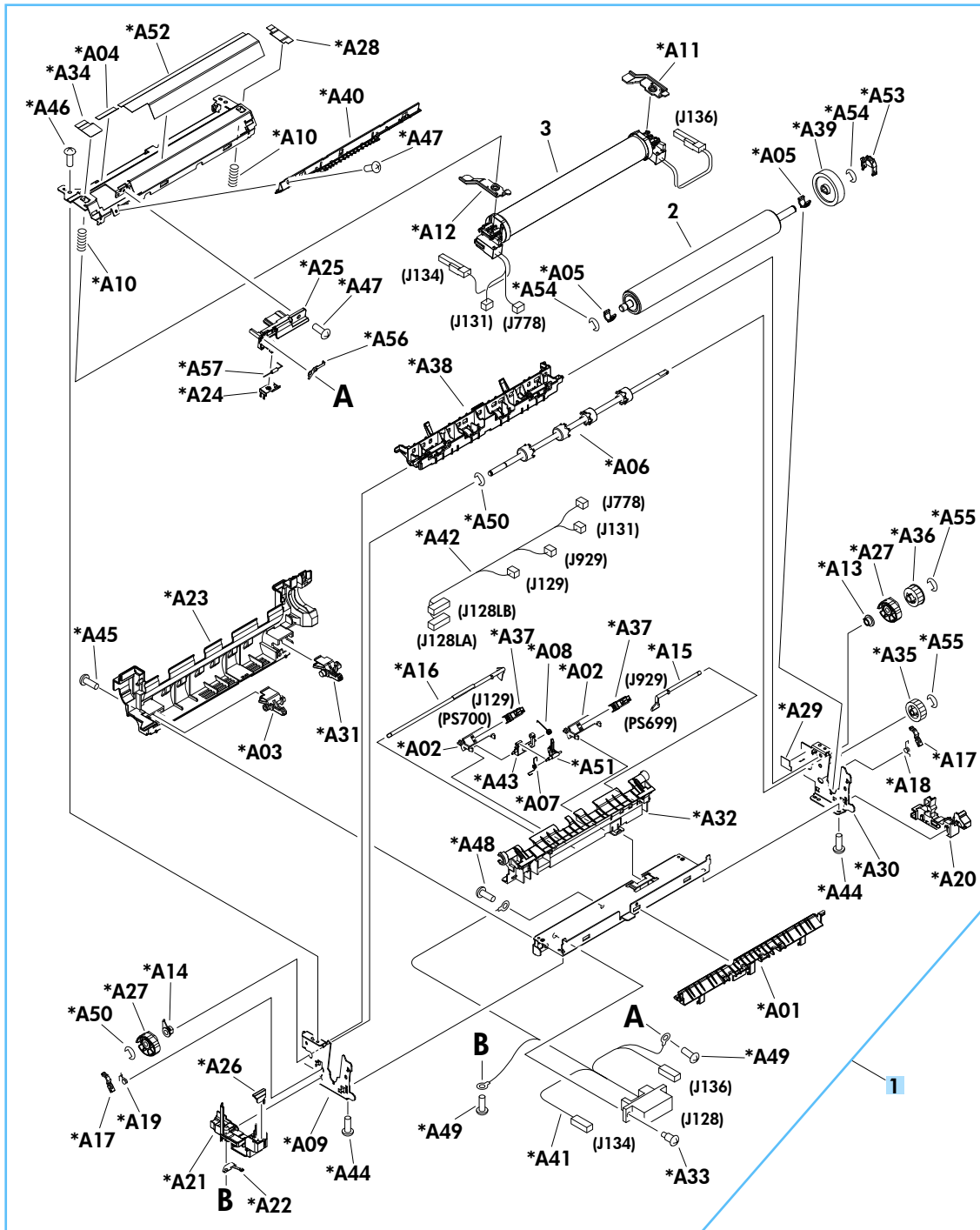


Table 4-16 Fuser assembly

Ref	Description	Part number	Qty
1	Fuser assembly 110V	RM1-8395-000CN	1
1	Fuser assembly 220V	RM1-8396-000CN	1