

High-voltage power supply

Figure 4-8 High-voltage power supply

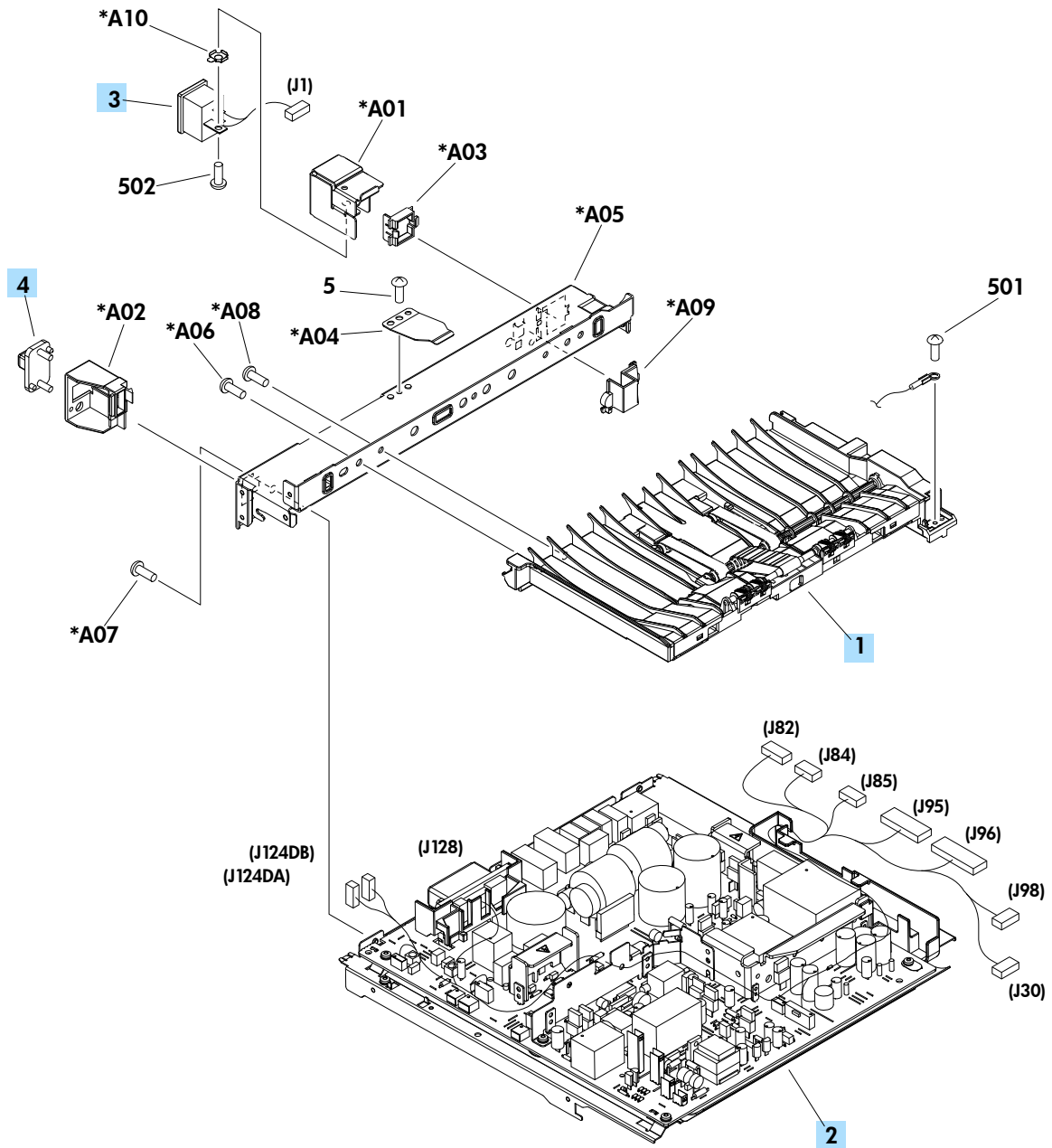


Table 4-9 High-voltage power supply

Ref	Description	Part number	Qty
1	Paper feed assembly	RM1-4548-000CN	1
2	High-voltage power supply 110V	RM1-8392-000CN	1
2	High-voltage power supply 220V	RM1-8393-000CN	1
3	Connector, inlet	RM1-8348-000CN	1
4	Connector, drawer 6P	VS1-7514-006CN	1