

Internal components

Internal components (1 of 3)

Figure 4-5 Internal components (1 of 3)

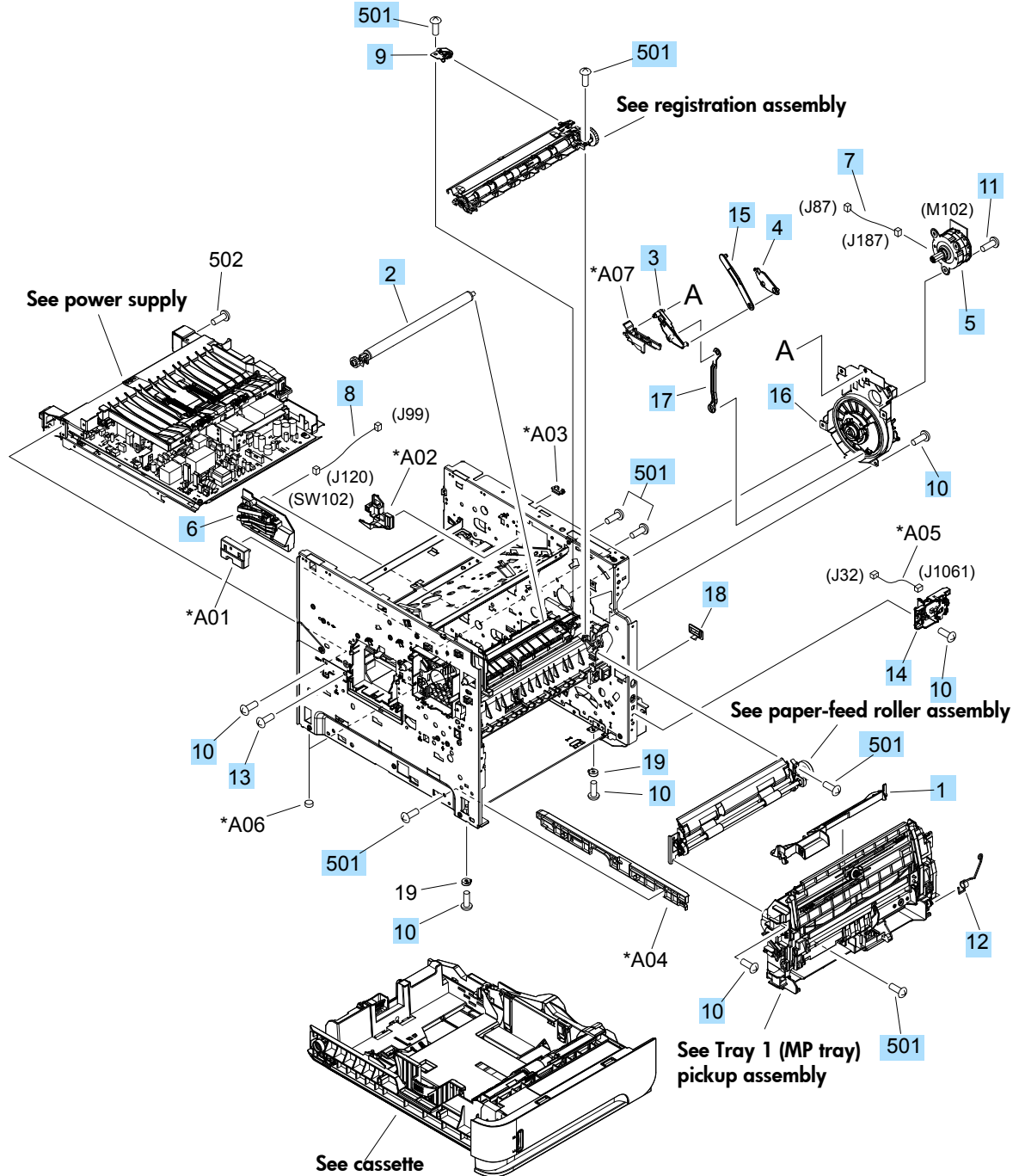


Table 4-6 Internal components (1 of 3)

Ref	Description	Part number	Qty
1	Cover, envelope feeder	RL1-1667-000CN	1
2	Transfer roller	RM1-8491-000CN	1
3	Arm, release A	RC2-2480-000CN	1
4	Arm, release B	RC2-2481-000CN	1
5	Motor, drum assembly (M102)	RM1-8358-000CN	1
6	Size detect assembly	RM1-4525-000CN	1
7	Cable, drum motor	RM1-8308-000CN	1
8	Cable, size sensor	RM1-5091-000CN	1
9	Plate, ground assembly	RM1-5461-000CN	1
10	Screw, D, M3x8	XA9-1671-000CN	21
11	Screw, tap, M3x6	XA9-1503-000CN	3
12	Spring, torsion	RC3-1470-000CN	1
13	Screw, M4x5	RC2-2633-000CN	2
14	PCA, switch assembly	RM1-8428-000CN	1
15	Rod, release, upper	RC2-2482-000CN	1
16	Drum drive assembly	RM1-8489-000CN	1
17	Rod, release lower	RC2-2483-000CN	1
18	Guard, edge	RC1-0247-000CN	1
19	Spacer, frame	RC2-2725-000CN	2
501	Screw, tapping pan head M4X10	XB4-7401-607CN	16