

Internal components (2 of 3)

Figure 4-6 Internal components (2 of 3)

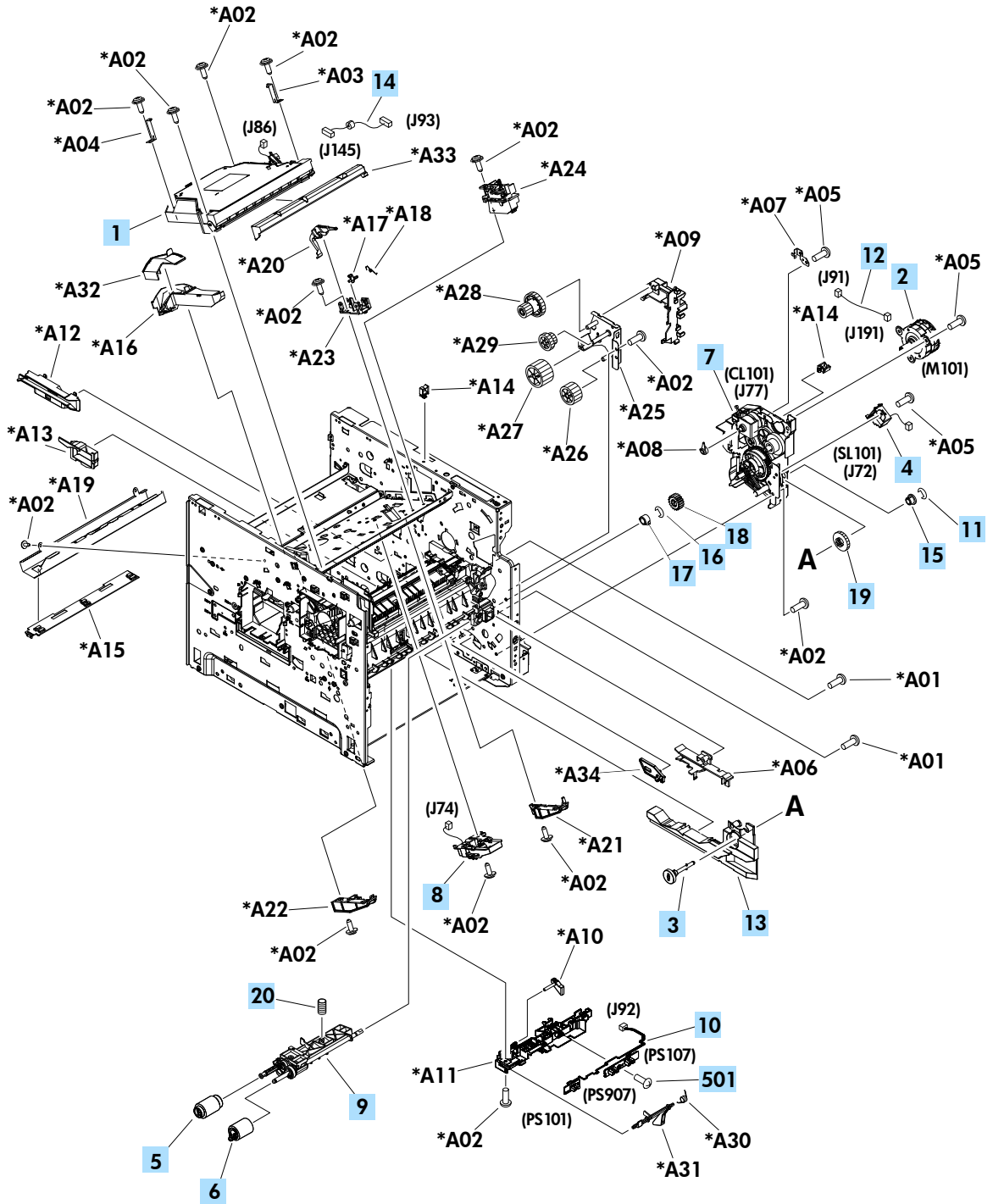


Table 4-7 Internal components (2 of 3)

Ref	Description	Part number	Qty
1	Laser/scanner assembly	RM1-8406-000CN	1
2	Motor, paper feed assembly (M101)	RM1-8285-000CN	1
3	Shaft retard drive	RL1-3020-000CN	1
4	Solenoid	RK2-4078-000CN	1
5	Paper pickup roller assembly	RM1-0036-020CN	1
6	Paper feed roller assembly	RM1-0037-020CN	1
7	Paper pickup drive assembly	RM1-8415-000CN	1
8	Tag holder assembly	RM1-4539-000CN	1
9	Paper feed shaft assembly	RM1-8424-000CN	1
10	Cable, feed sensor	RM1-8298-000CN	1
11	Ring, E	XD9-0232-000CN	1
12	Cable, feed motor	RM1-8311-000CN	1
13	Guide, front right assembly	RM1-8427-000CN	1
14	Cable, laser	RM1-8340-000CN	1
15	Bushing	RC1-0214-000CN	1
16	Ring, E	XD9-0233-010CN	1
17	Bushing	RC3-1403-000CN	1
18	Gear, 18T	RU5-0088-000CN	1
19	Gear, 23T	RU5-0040-000CN	1
20	Spring, compression	RC1-0213-000CN	1
501	Screw, tap, binding head, M3x8	XB4-7300-809CN	2