

Paper feed roller assembly

Figure 4-11 Paper feed roller assembly

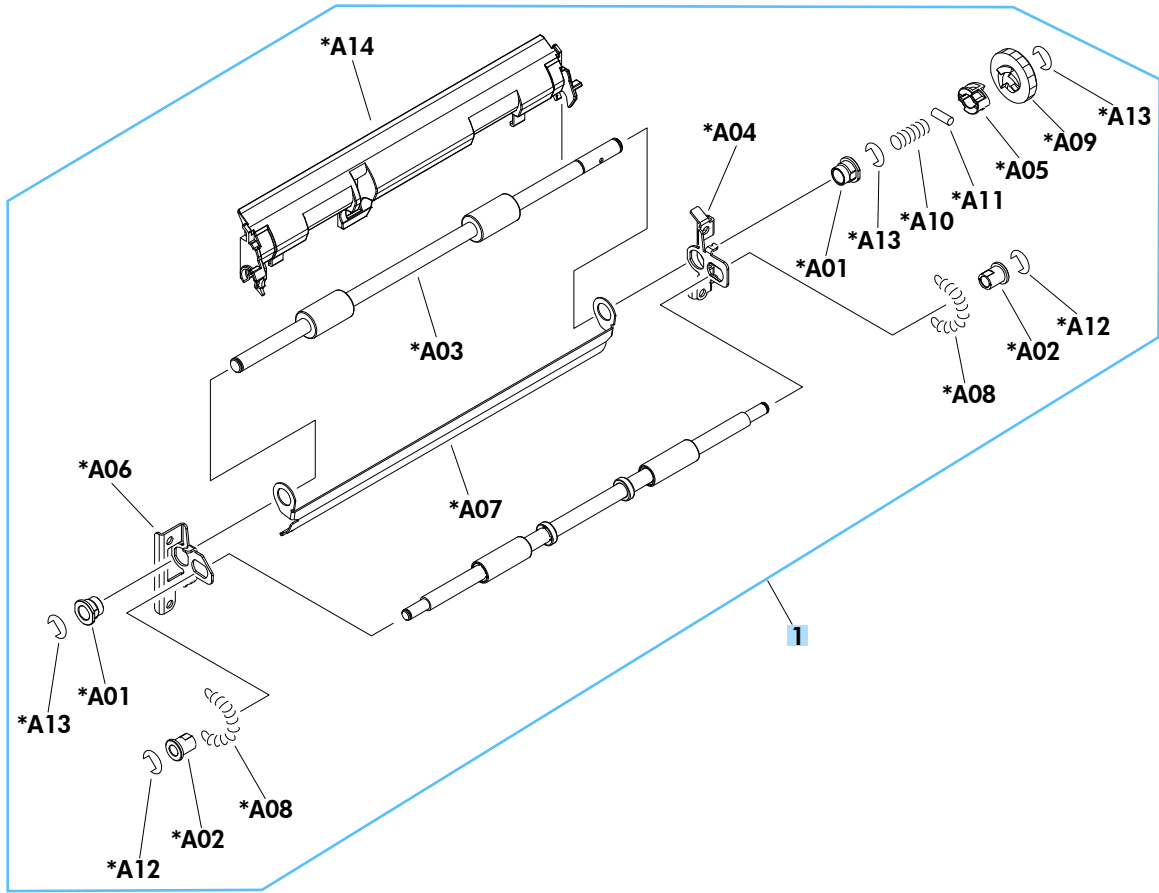


Table 4-12 Paper feed roller assembly

Ref	Description	Part number	Qty
1	Paper feed roller assembly	RM1-8411-000CN	1