

Main body (SS)

Figure 4-38 Main body (SS)

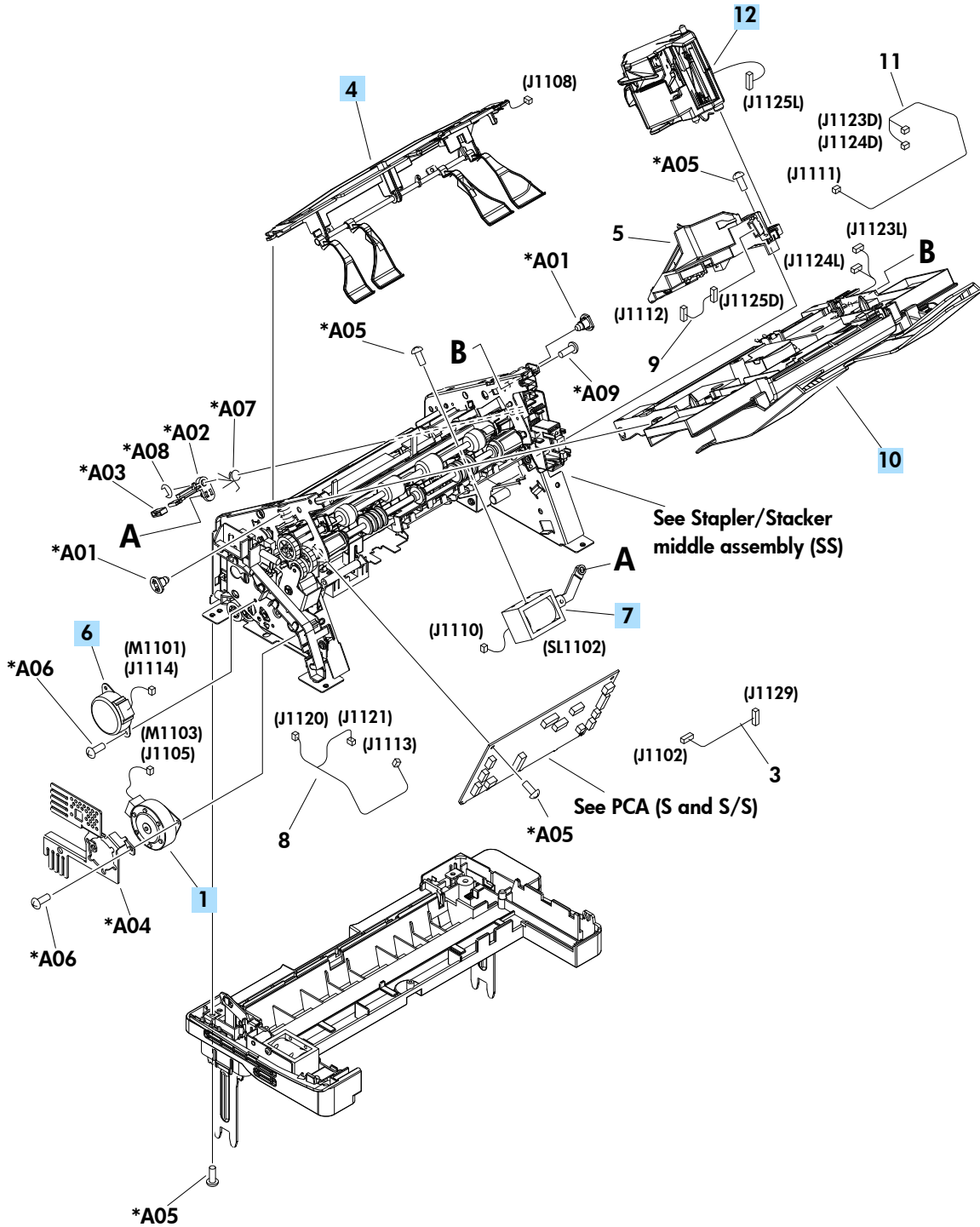


Table 4-39 Main body (SS)

Ref	Description	Part number	Qty
1	Motor, stepping, DC 24V (M1103) (S/S)	RK2-2025-000CN	1
4	Sensor, paper full assembly (S/S)	RM1-1166-000CN	1
6	Motor, stepping, DC 24V (M1101) (S/S)	RK2-2027-000CN	1
7	Solenoid (S/S)	RL1-0506-000CN	1
10	Jog assembly (S/S)	RM1-4670-000CN	1
12	Stapler assembly (S/S)	RM1-4826-000CN	1