

Output devices

Stapler/stacker multi-bin mailbox (MBM)

Covers (MBM)

Figure 4-33 Covers (MBM)

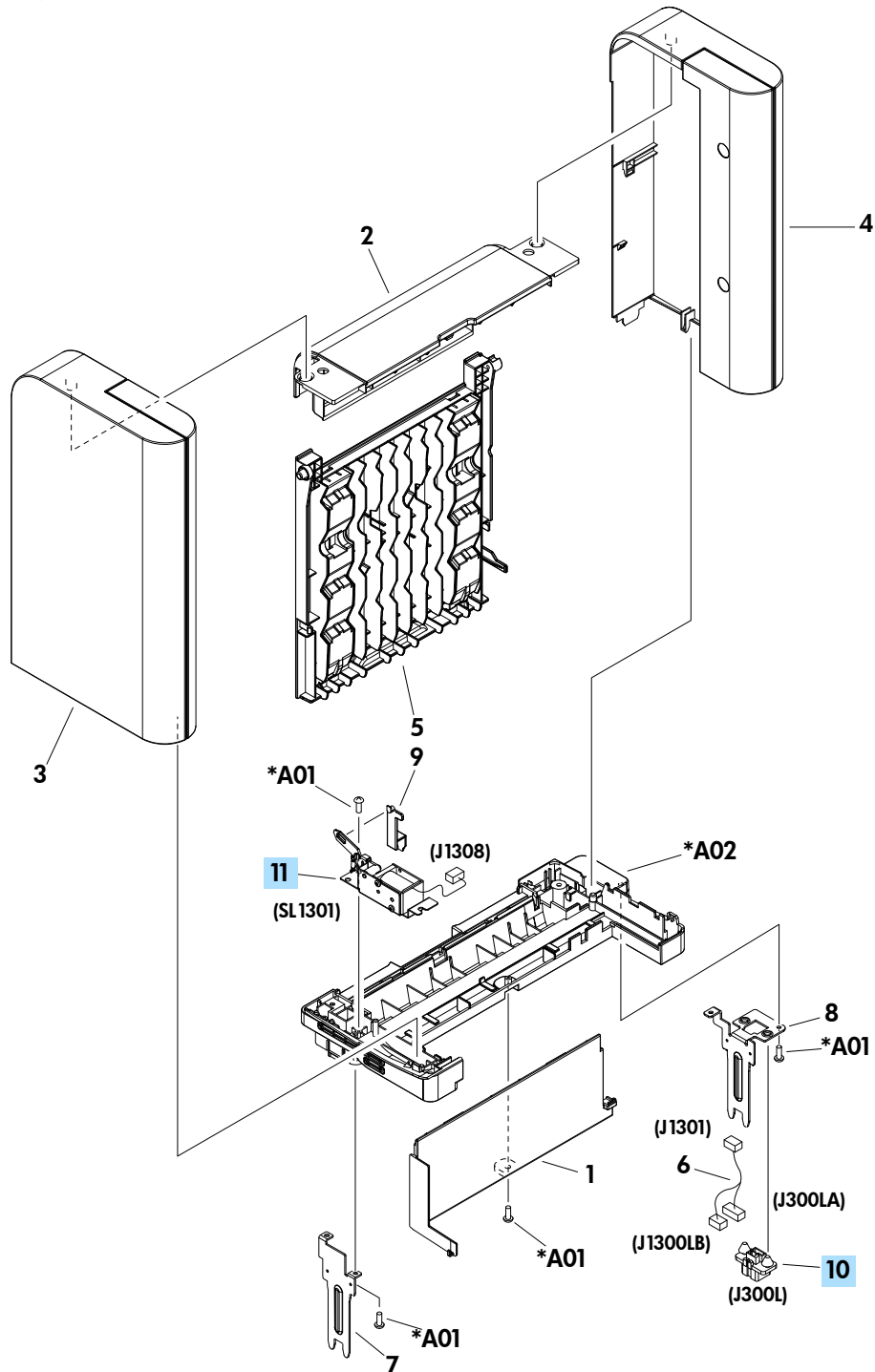


Table 4-34 Covers (MBM)

Ref	Description	Part number	Qty
10	Connector 8P (MBM)	VS1-7500-008CN	1
11	Solenoid assembly, IN (MBM)	RM1-5270-000CN	1