

1,500-sheet feeder main body (1 of 2)

Figure 2-14 1,500-sheet feeder main body (1 of 2)

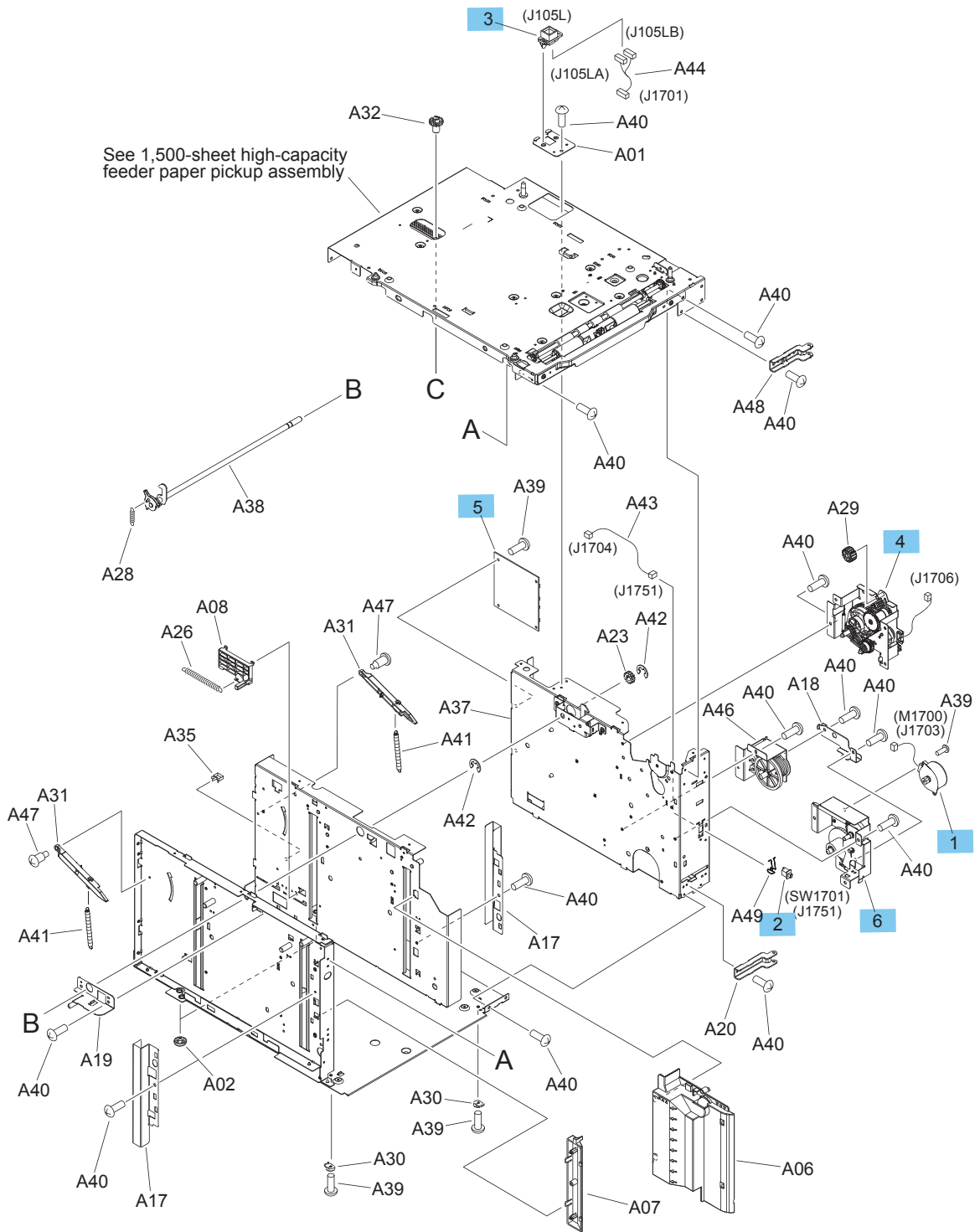


Table 2-16 1,500-sheet feeder main body (1 of 2)

Ref	Description	Part number	Qty
1	Motor, stepping (1,500-sheet feeder)	RH7-1603-020CN	1
2	Switch, push (1,500-sheet feeder)	WC2-5806-000CN	1
3	Connector, drawer, 6P (1,500-sheet feeder)	VS1-7500-006CN	1
4	Paper pickup drive assembly (1,500-sheet feeder)	RM2-6045-000CN	1
5	PCA, paper deck (1,500-sheet feeder)	RM2-7647-000CN	1
6	Lifter drive assembly (1,500-sheet feeder)	RM2-6044-000CN	1