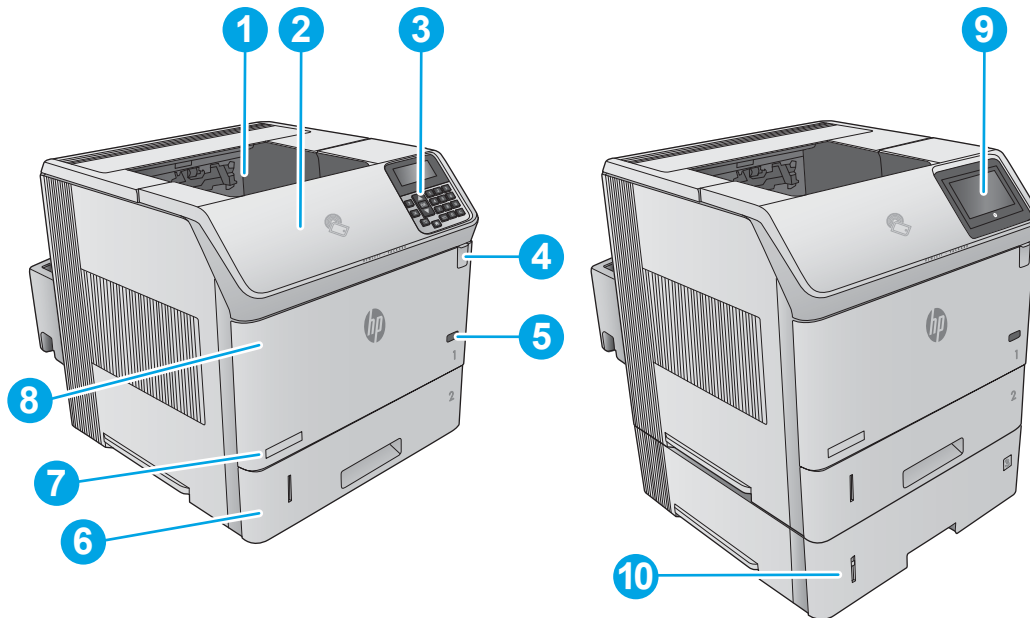


Assembly locations

Product front view



1	Standard output bin
2	Top cover (access to the toner cartridge)
3	4-line LCD control panel with keypad (n and dn models only)
4	Easy-access USB port
5	On/off button
6	Tray 2
7	Model name
8	Tray 1
9	Control panel with color touchscreen display (x models only)
10	1 x 500-sheet feeder (included with the x model, optional for the other models)

NOTE: The product accepts up to four 1 x 500-sheet feeders, or three 1 x 500-sheet feeders and one 1,500-sheet high-capacity input tray.