

Envelope feeder internal components (2 of 2)

Figure 2-10 Envelope feeder internal components (2 of 2)

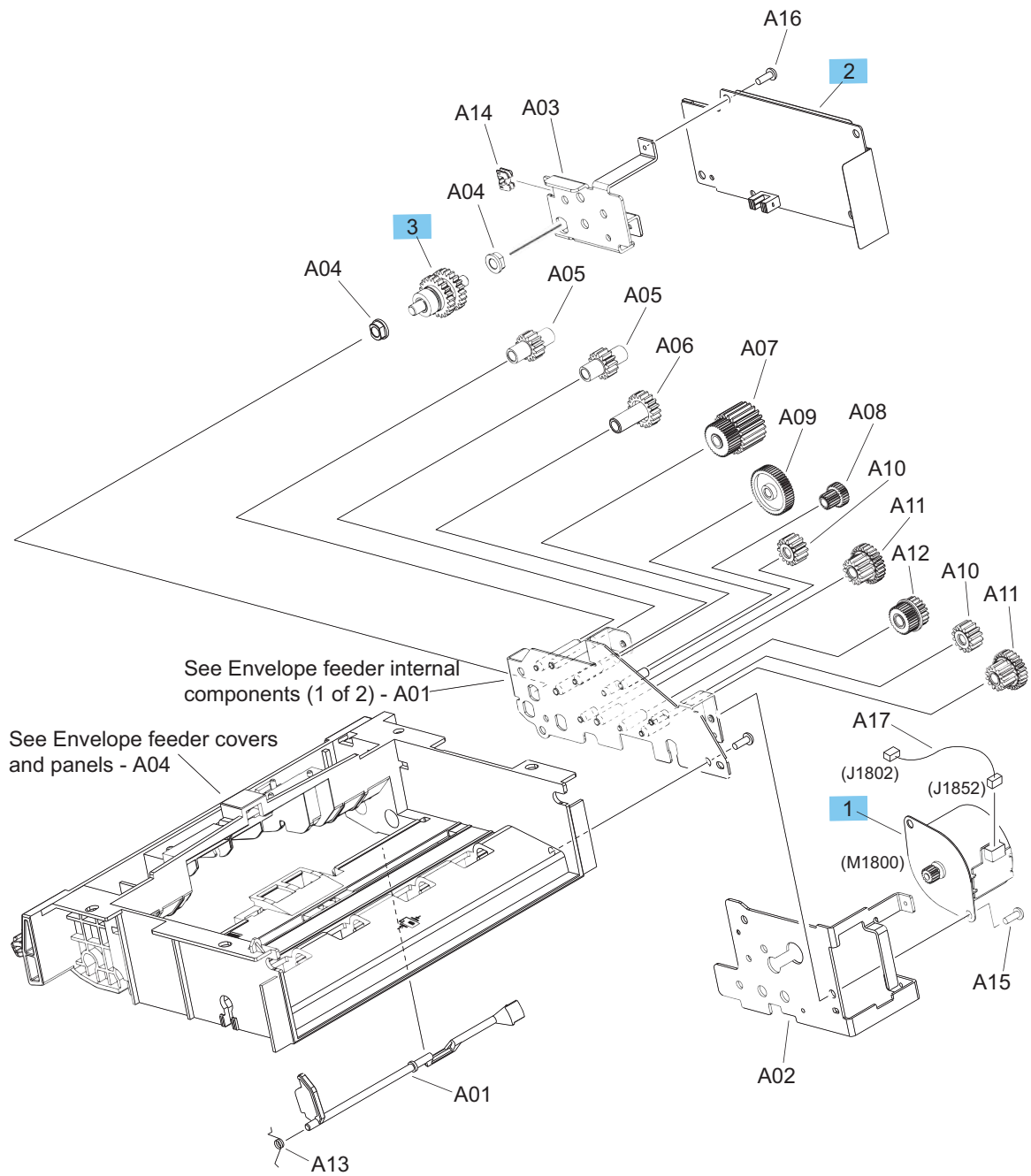


Table 2-12 Envelope feeder internal components (2 of 2)

Ref	Description	Part number	Qty
1	Motor, stepping, DC24V (envelope feeder)	RK2-2162-000CN	1
2	PCA, envelope controller (envelope feeder)	RM2-8651-000CN	1
3	Joint shaft assembly (envelope feeder)	RM1-5222-000CN	1