

Stapler/stacker main body

Figure 2-21 Stapler/stacker main body

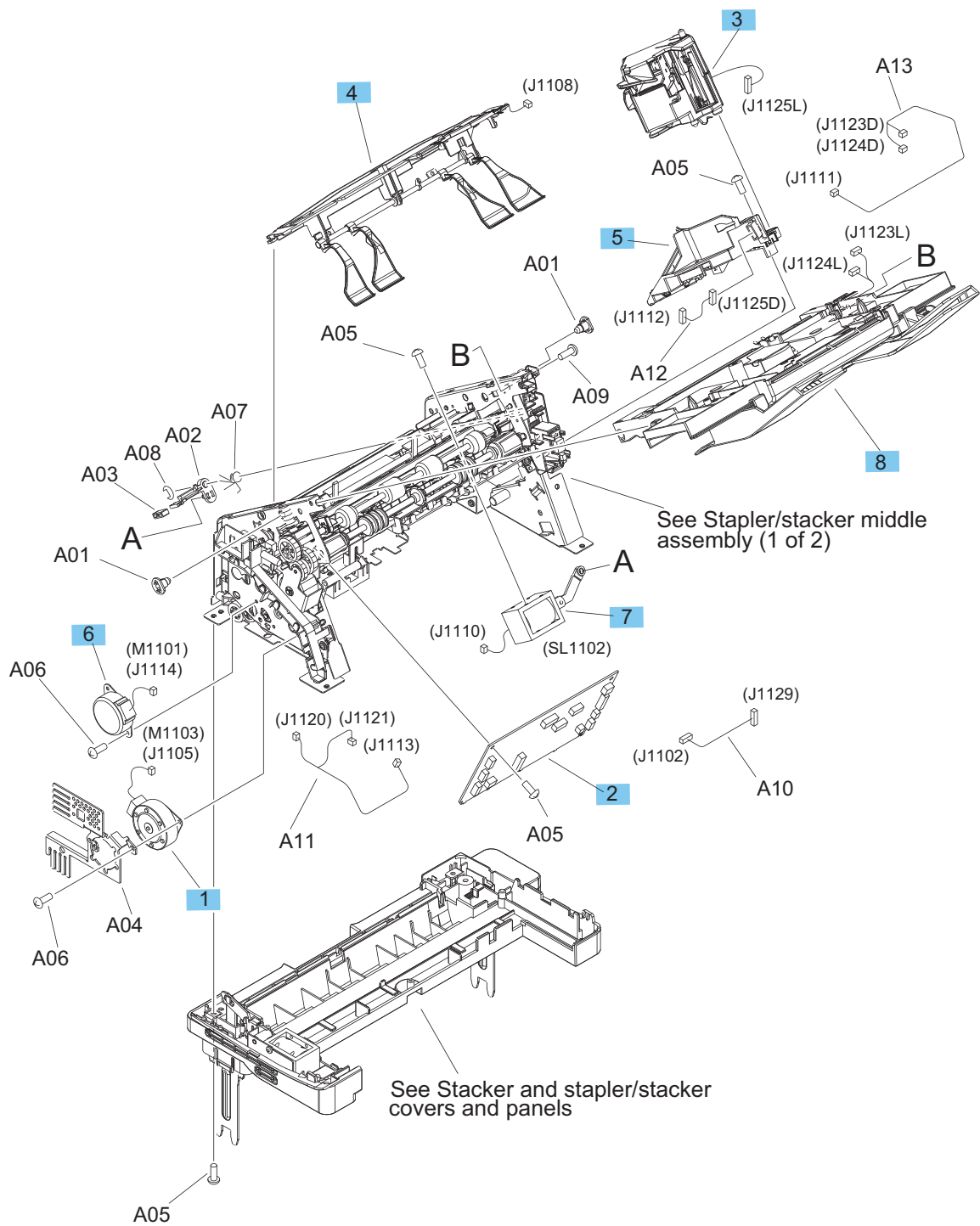


Table 2-23 Stapler/stacker main body

Ref	Description	Part number	Qty
1	Motor, stepping, DC24V (stapler/stacker)	RK2-2025-000CN	1
2	PCA, driver (stapler/stacker)	RM2-7649-000CN	1
3	Stapler assembly (stapler/stacker)	RM2-6202-000CN	1
4	Paper full sensor assembly (stapler/stacker)	RM1-1166-000CN	1
5	Stapler mount assembly (stapler/stacker)	RM1-4827-000CN	1
6	Motor, stepping, DC24V (stapler/stacker)	RK2-2027-000CN	1
7	Solenoid(stapler/stacker)	RL1-0506-000CN	1
8	Jog assembly (stapler/stacker)	RM2-6198-000CN	1