

Covers

Figure 2-1 Covers

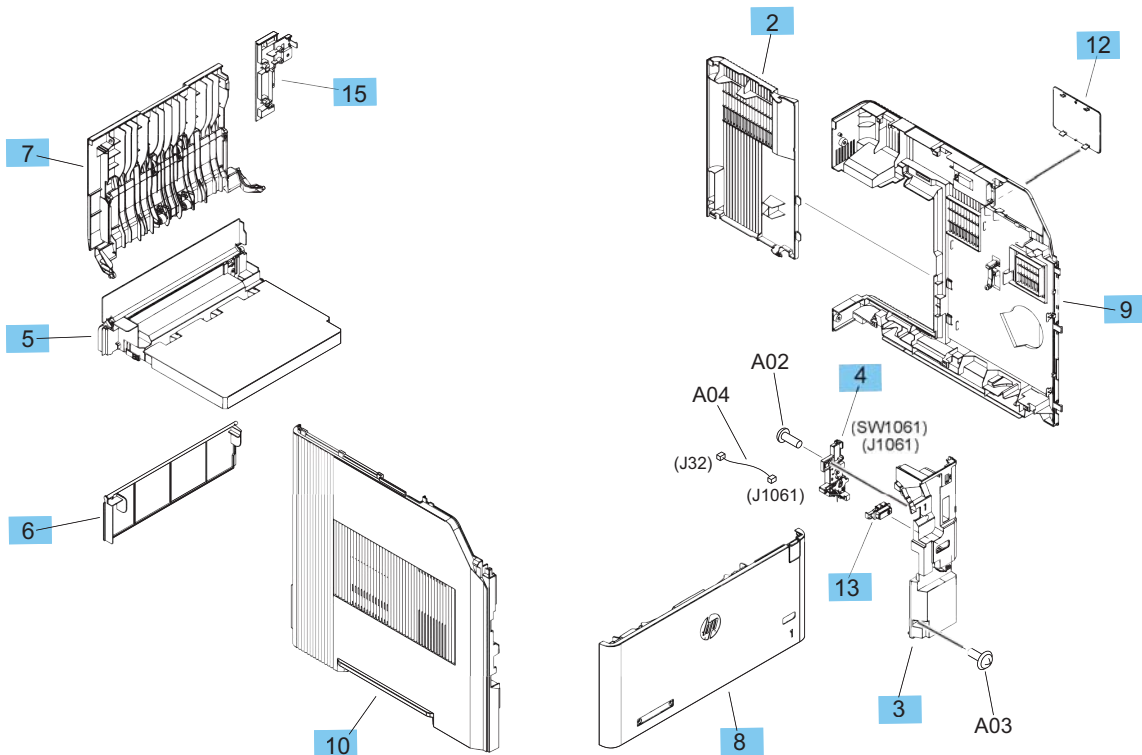
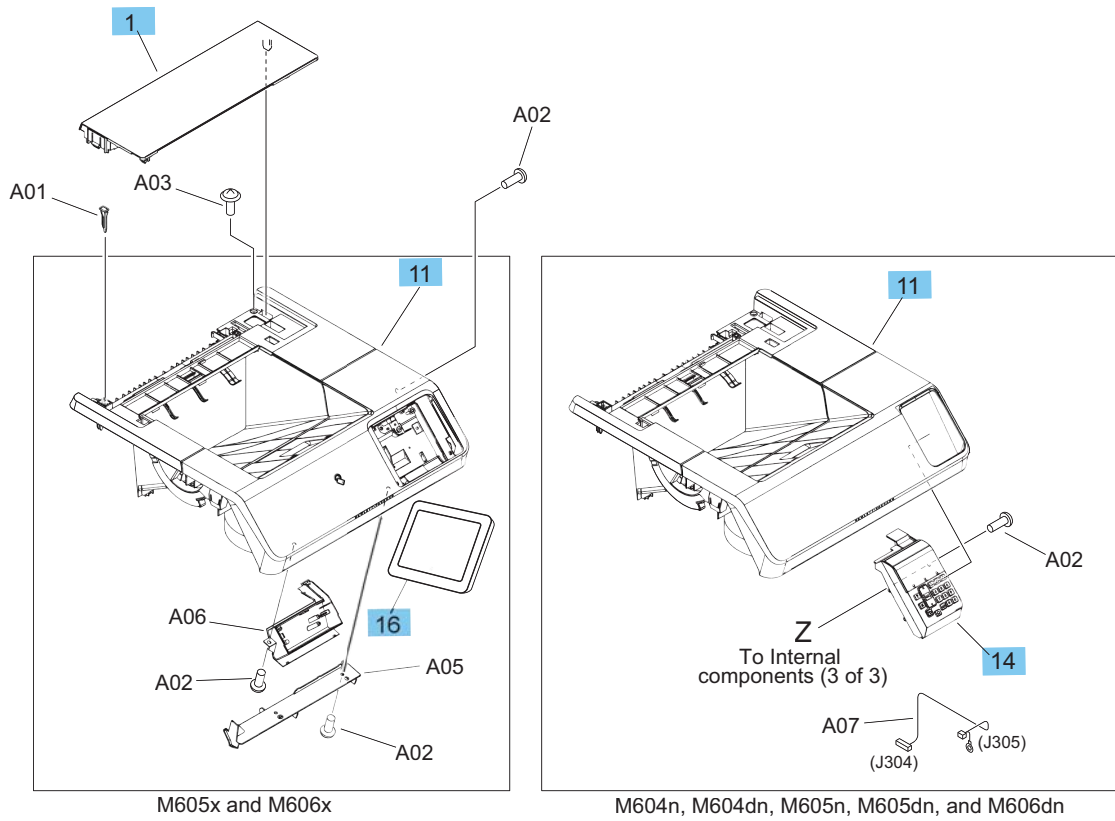


Table 2-3 Covers

Ref	Description	Part number	Qty
1	Cover, output accessory	RL2-1404-000CN	1
2	Cover, formatter	RC4-5802-000CN	1
3	Cover, right front	RC4-5837-000CN	1
4	PCA, switch	RM2-6327-000CN	1
5	Cover, duplexing	RM2-6310-000CN	1
6	Cover, legal	RC4-5872-000CN	1
7	Face-up tray assembly	RM2-6298-000CN	1
8	Cover, front (M604) ¹	E6B67-67927	1
8	Cover, front (M605) ¹	E6B69-67901	1
8	Cover, front (M606) ¹	E6B72-67901	1
9	Cover, right	RM2-6311-000CN	1
10	Cover, left	RM2-6312-000CN	1
11	Cover, top (M605n, M605dn, and M606dn)	RM2-6307-000CN	1
11	Cover, top (M604n and M604dn)	RM2-6919-000CN	1
11	Cover, top (M605x and M606x)	RM2-6306-000CN	1
12	Cover, HIP	RC4-5803-000CN	1
13	Switch button assembly	RM2-6333-000CN	1
14	Control panel (M604n, M604dn, M605n, M605dn, and M606dn)	RM2-7682-000CN	1
15	Cover, right rear	RC4-5804-000CN	1
16	Control panel (M605x and M606x)	E6B67-67914	1

¹ Tray 1 is part of the front cover.