

Internal components (2 of 3)

Figure 2-3 Internal components (2 of 3)

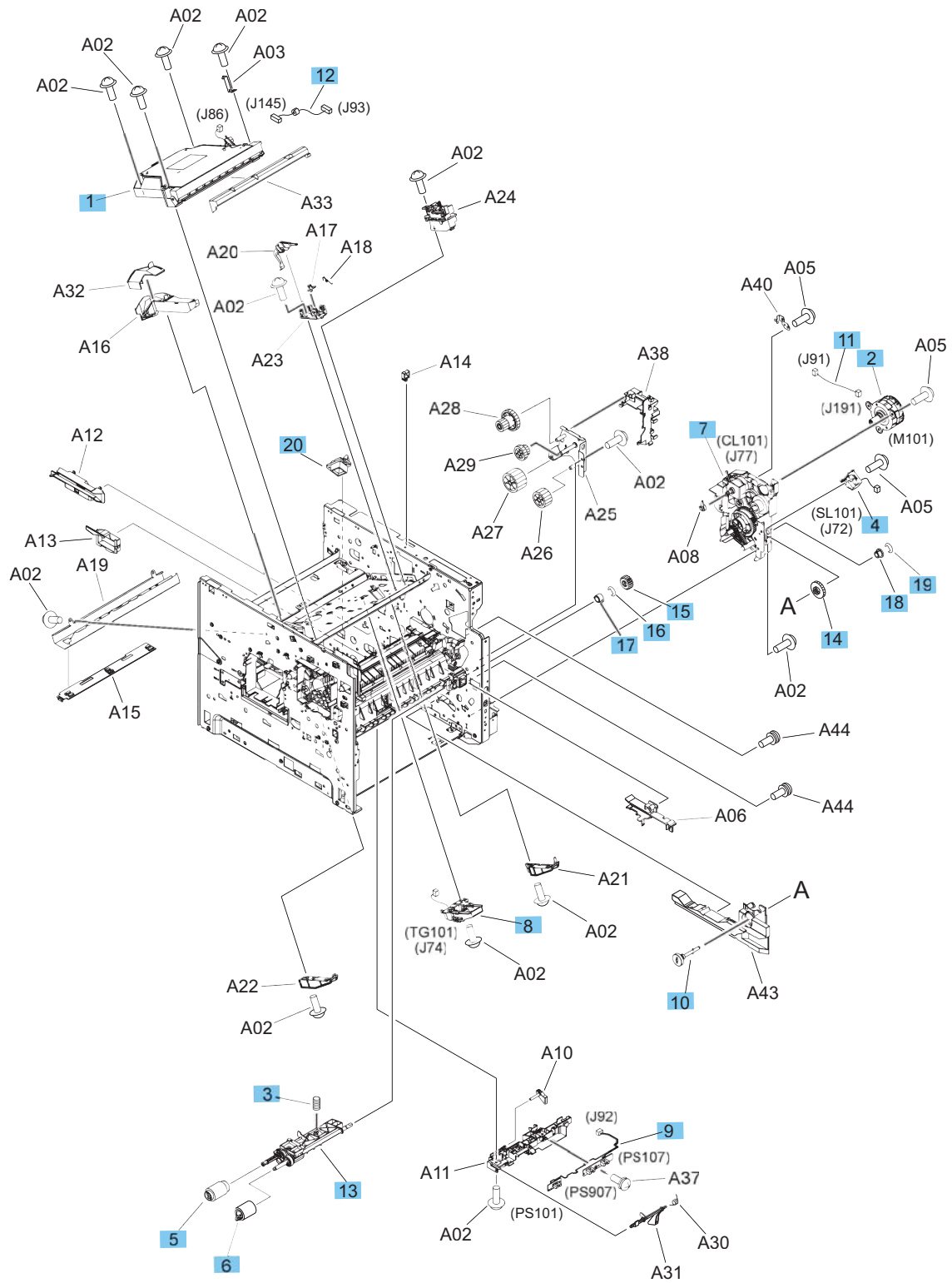


Table 2-5 Internal components (2 of 3)

Ref	Description	Part number	Qty
1	Laser scanner assembly	RM1-8406-000CN	1
2	Paper feed motor assembly	RM1-8285-000CN	1
3	Spring, compression	RC1-0213-000CN	1
4	Solenoid	RL2-1409-000CN	1
5	Roller, paper pickup (part of Tray 2-6 roller kit)	E6B67-67905	1
6	Roller, paper feed (part of Tray 2-6 roller kit)	E6B67-67905	1
7	Paper pickup drive assembly	RM1-8415-000CN	1
8	Tag holder assembly	RM1-4539-000CN	1
9	Feeder sensor cable assembly	RM2-7687-000CN	1
10	Shaft, retard drive	RL1-3020-000CN	1
11	Cable, feed motor	RM1-8311-000CN	1
12	Cable, laser	RM1-8340-000CN	1
13	Paper feed shaft assembly	RM1-8424-000CN	1
14	Gear, 23T	RU5-0040-000CN	1
15	Gear, 18T	RU5-0088-000CN	1
16	Ring, E	XD9-0233-010CN	1
17	Bushing	RC3-1403-000CN	1
18	Bushing	RC1-0214-000CN	1
19	Ring, E	XD9-0232-010CN	1
20	Connector, drawer, 6P	VS1-7500-006CN	1