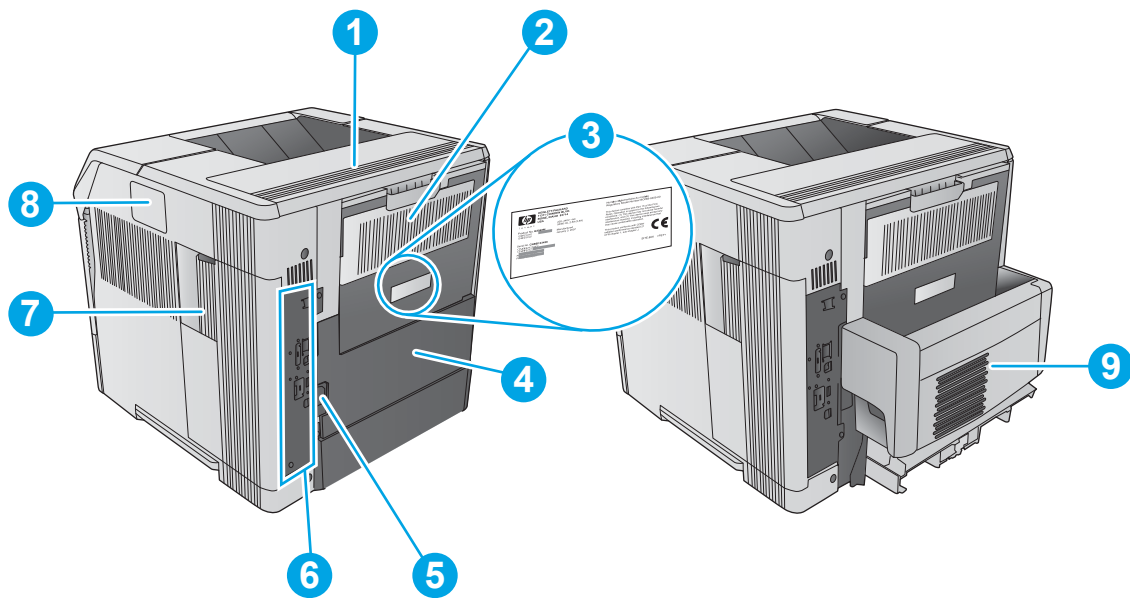


Product back view



1	Output-accessory cover
2	Rear output bin
3	Serial number and product number label
4	Duplex accessory cover (n model only)
5	Power connection
6	Formatter (contains the interface ports)
7	Formatter cover
8	Hardware integration pocket (for connecting accessory and third-party devices)
9	Automatic duplex printing accessory (included with the dn and x models, optional for the n model)