

Stacker main body

Figure 2-22 Stacker main body

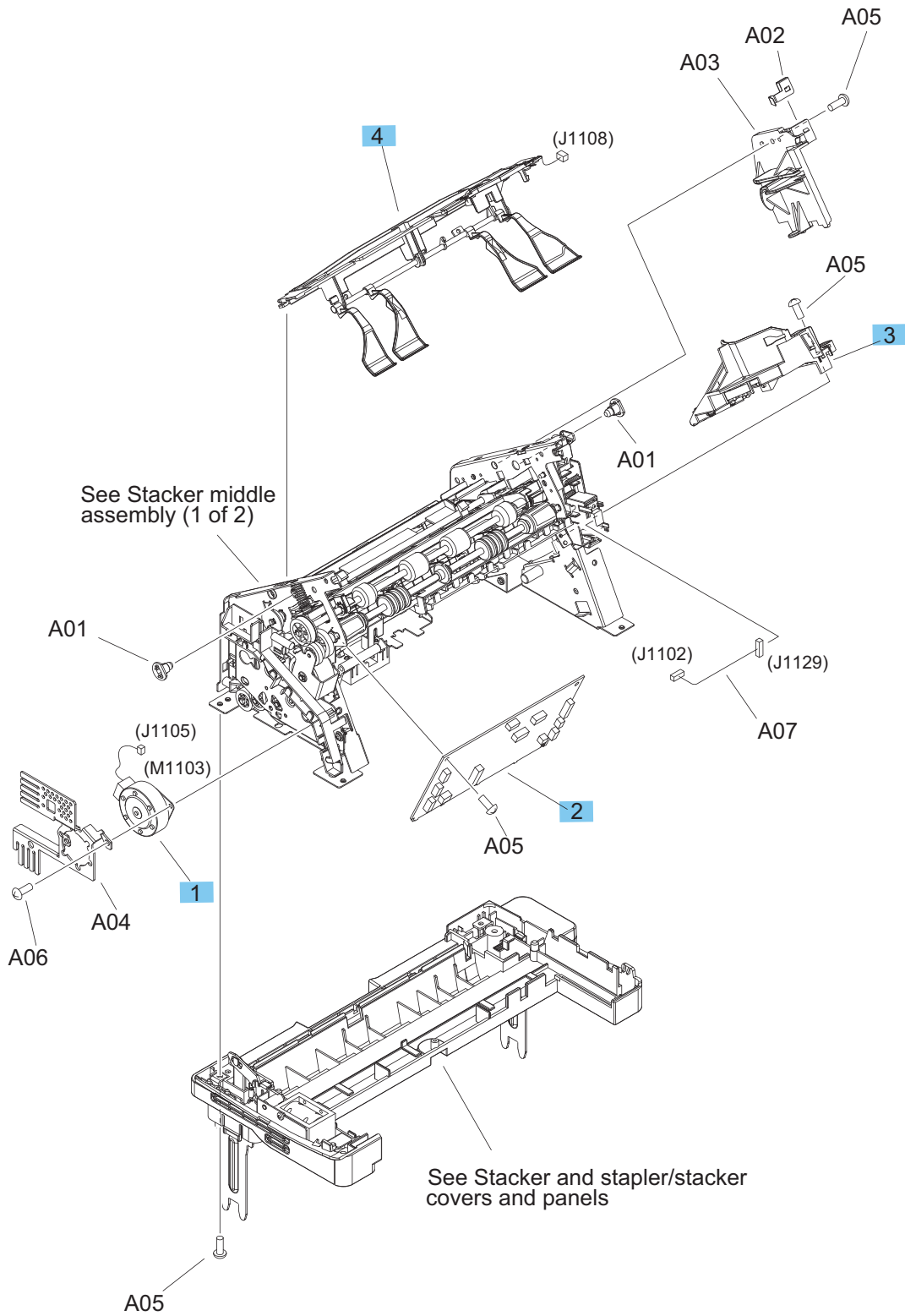


Table 2-24 Stacker main body

Ref	Description	Part number	Qty
1	Motor, stepping, DC24V(stacker)	RK2-2025-000CN	1
2	PCA, driver (stacker)	RM2-7650-000CN	1
3	Stapler mount assembly (stacker)	RM1-4676-000CN	1
4	Paper full sensor assembly (stacker)	RM1-1166-000CN	1