

Internal components

Internal components (1 of 3)

Figure 2-2 Internal components (1 of 3)

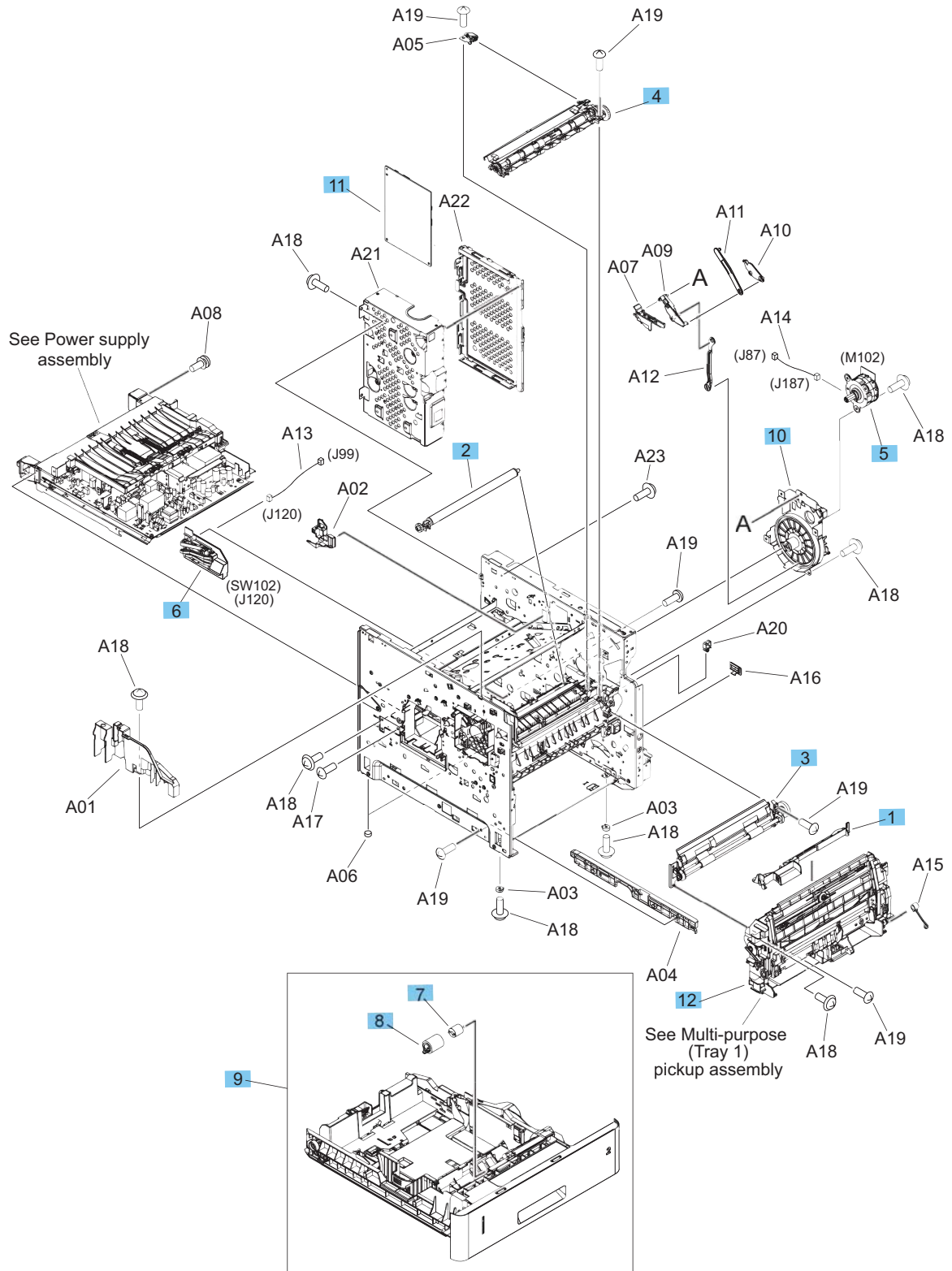


Table 2-4 Internal components (1 of 3)

Ref	Description	Part number	Qty
1	Cover, envelope	RL1-1667-000CN	1
2	Transfer roller kit	E6B67-67904	1
3	Paper feed roller assembly	RM1-8411-010CN	1
4	Registration assembly	RM1-8413-000CN	1
5	Drum motor assembly	RM1-8358-000CN	1
6	Size detect assembly	RM1-4525-000CN	1
7	Torque limiter kit	E6B67-67926	1
8	Roller, paper feed (part of Tray 2-6 roller kit)	E6B67-67905	1
9	Cassette (Tray 2 only)	RM2-6296-000CN	1
	NOTE: If replacing the tray for the 500-sheet feeder, order part number RM2-6275-000CN.		
10	Drum drive assembly	RM2-6920-000CN	1
11	PCA, formatter	E6B69-60001	1
12	Multi-purpose (Tray 1) pickup assembly	RM2-6323-000CN	1
Not shown	Wireless PCA, embedded	1150-7968	1
Not shown	Near field communication (NFC) PCA, embedded	B5L24-60002	1