

Power supply assembly

Figure 2-5 Power supply assembly

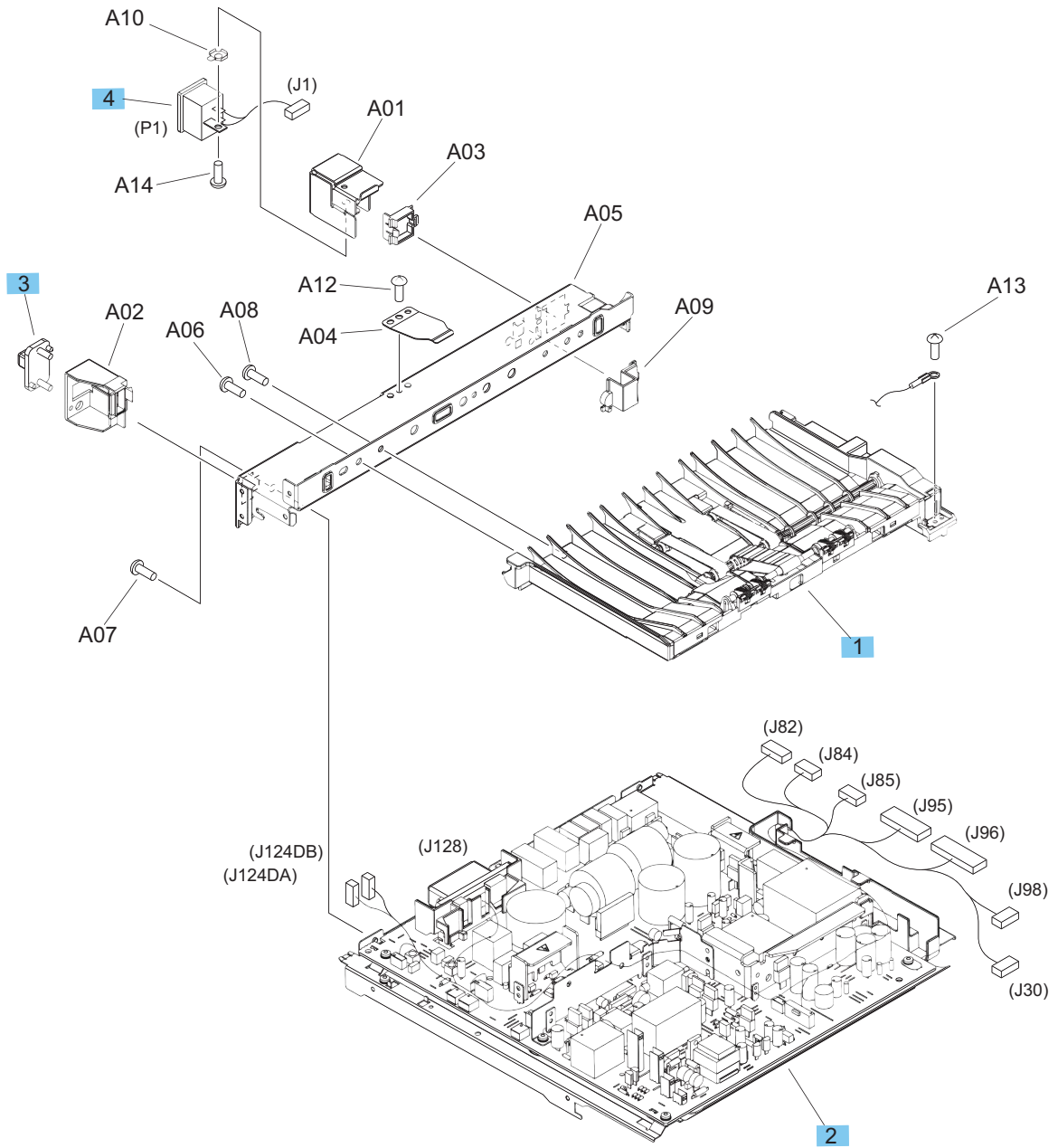


Table 2-7 Power supply assembly

| Ref | Description | Part number | Qty |
|------------|------------------------------|--------------------|------------|
| 1 | Paper feed assembly | RM1-4548-000CN | 1 |
| 2 | Power supply assembly (110V) | RM2-6301-000CN | 1 |
| 2 | Power supply assembly (220V) | RM2-6349-000CN | 1 |
| 3 | Connector, drawer 6P | VS1-7514-006CN | 1 |
| 4 | Cable, inlet | RM1-8348-000CN | 1 |