

Stacker middle assembly (1 of 2)

Figure 2-25 Stacker middle assembly (1 of 2)

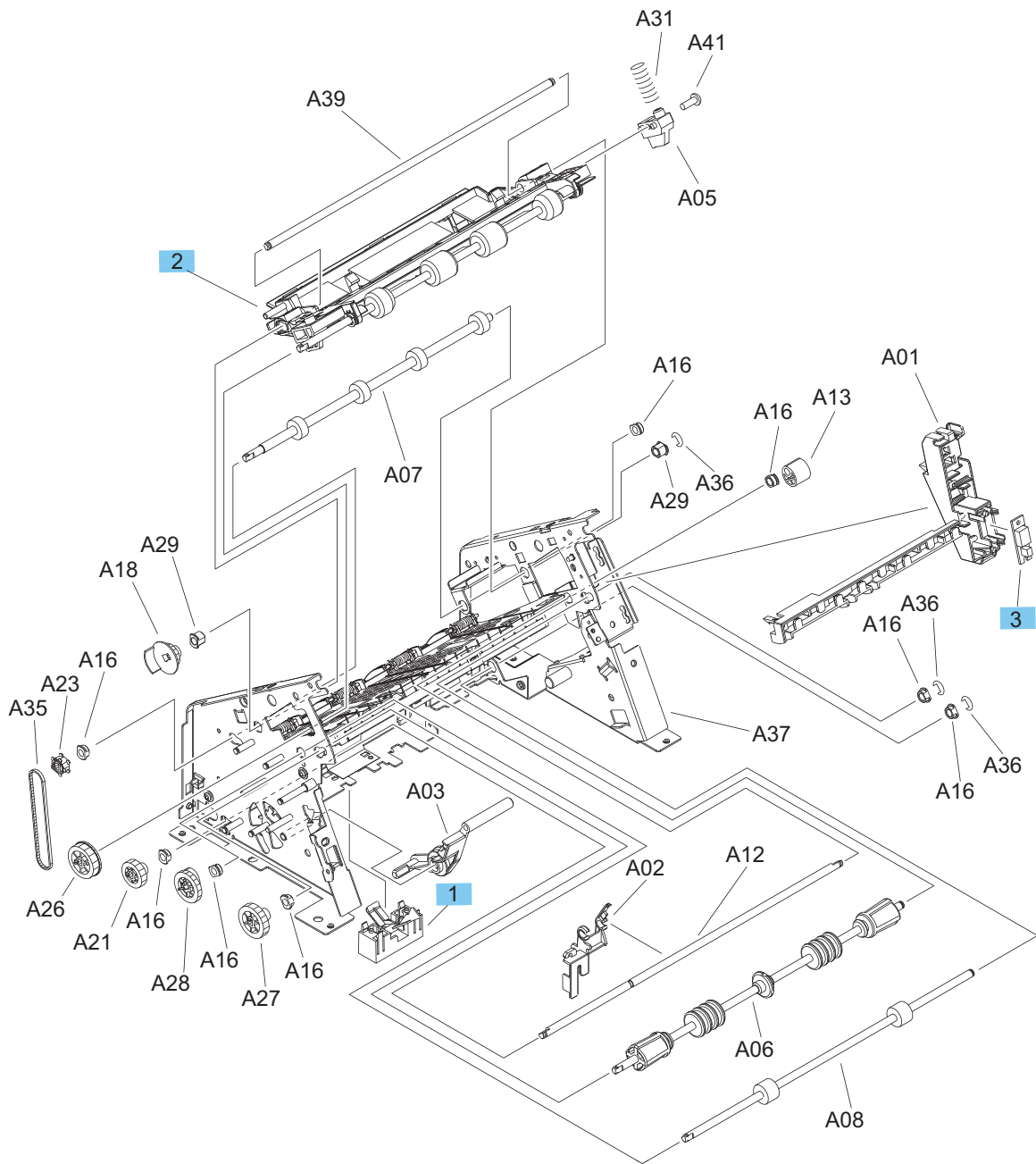


Table 2-27 Stacker middle assembly (1 of 2)

Ref	Description	Part number	Qty
1	Paper sensing flag assembly (stacker)	RM1-0239-000CN	1
2	Paper upper guide assembly (stacker)	RM1-0246-030CN	1
3	PCA, LED (stacker)	RG1-4266-030CN	1

Stacker middle assembly (2 of 2)

Figure 2-26 Stacker middle assembly (2 of 2)

