

Stapler/stacker middle assembly (1 of 2)

Figure 2-23 Stapler/stacker middle assembly (1 of 2)

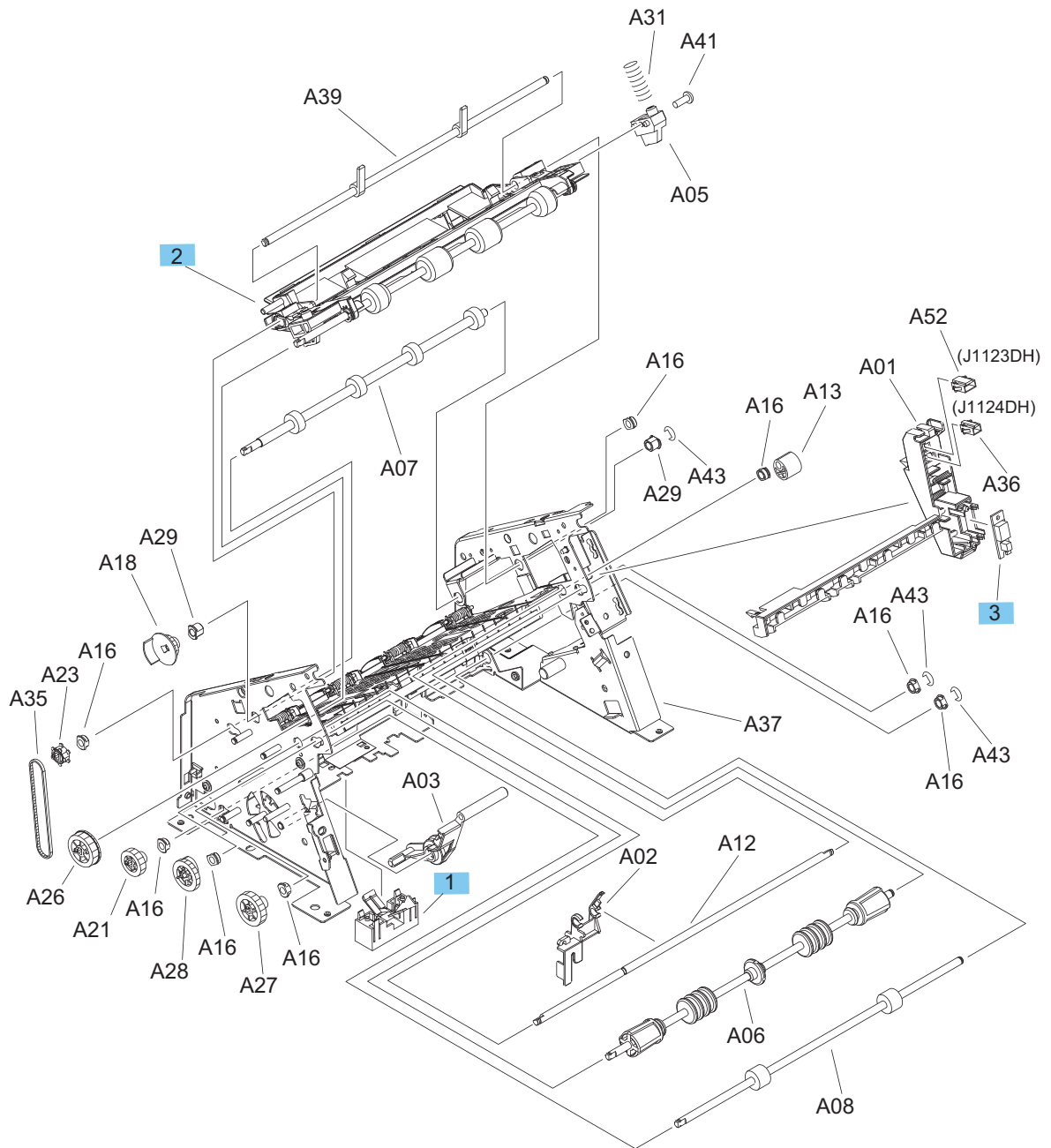


Table 2-25 Stapler/stacker middle assembly (1 of 2)

Ref	Description	Part number	Qty
1	Paper sensing flag assembly (stapler/stacker)	RM1-0239-000CN	1
2	Paper upper guide assembly (stapler/stacker)	RM1-0246-030CN	1
3	PCA, LED (stapler/stacker)	RG1-4266-030CN	1