

Internal components 3 of 6 (M607, M608, M609)

Figure 2-6 Internal components 3 of 6 (M607, M608, M609)

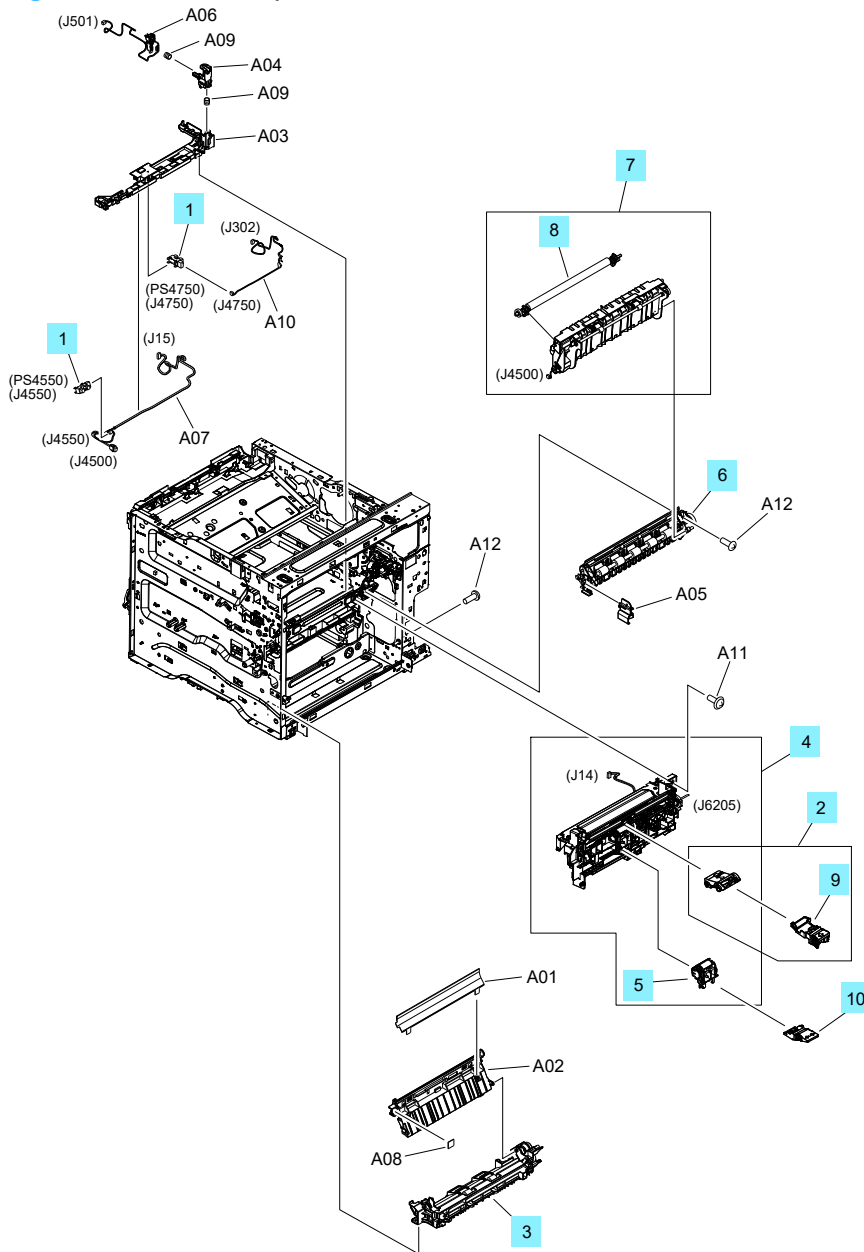


Table 2-9 Internal components 3 of 6 (M607, M608, M609)

Ref	Description	Part number	Qty
1	Photo Interrupter (PS4550, PS4750)	WG8-5935-000CN	2
2	Tray 2-x Roller Kit	J8J70-67904	1
3	Paper Feed Frame Assy	RM2-6749-000CN	1
4	Paper Pickup Assy	RM2-6771-000CN	1
5	Tray 2-x Roller Kit	J8J70-67904	1
6	Registration Assy	RM2-6774-000CN	1
7	Transfer Assy (except LCD Simplex Models)	RM2-6776-000CN	1
7	Transfer Assy (LCD Simplex Models)	RM2-1248-000CN	1
8	Transfer Roller Assy	RM2-6800-000CN	1
9	Tool, Exchange Pickup Roller	RC5-3827-000CN	1
10	Tool, Exchange Roller	RC5-3828-000CN	1