

Parts and diagrams: Covers (M607, M608, M609)

Covers (M607, M608, M609)

Figure 2-2 Covers (M607, M608, M609)

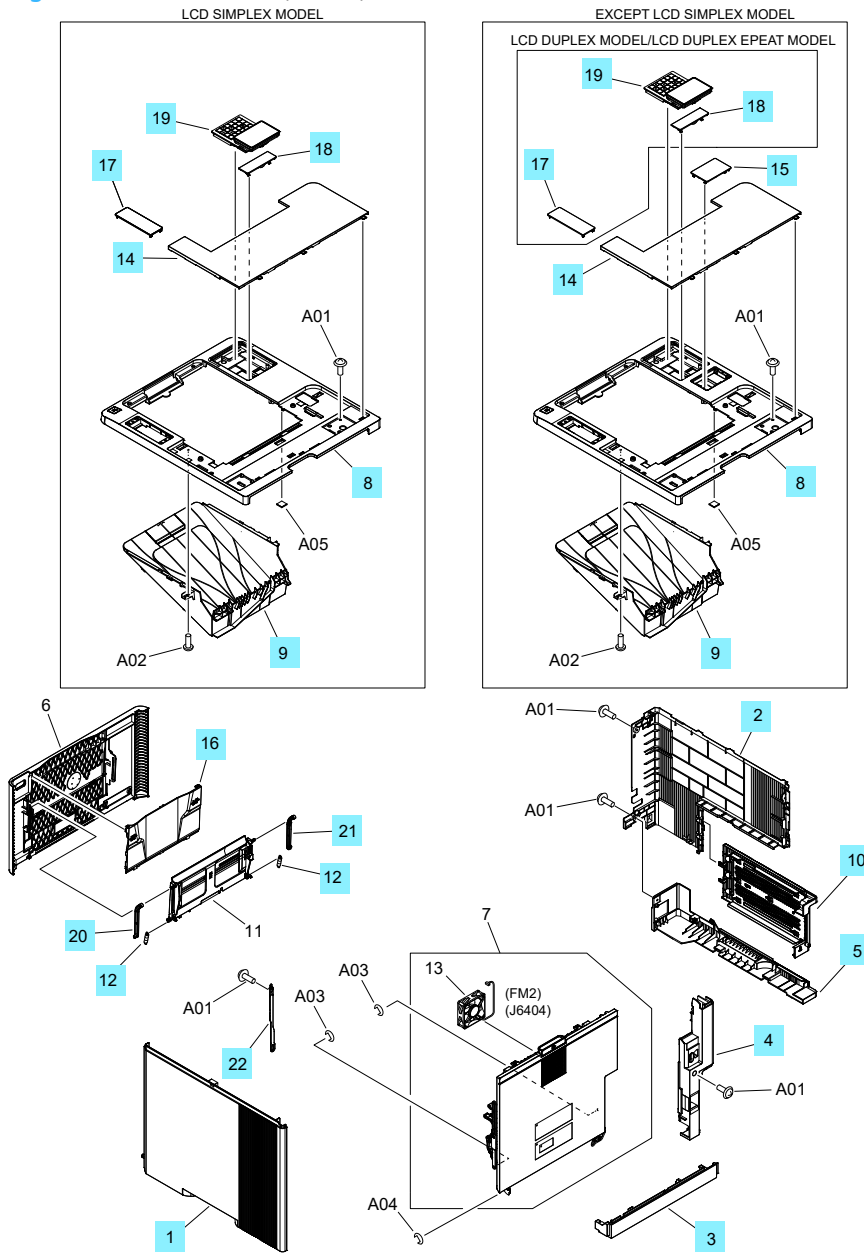


Table 2-5 Covers (M607, M608, M609)

| Ref | Description | Part number | Qty |
|------------|--|--------------------|------------|
| 1 | Cover, Right | RC4-6932-000CN | 1 |
| 2 | Cover, Left | RC4-6933-000CN | 1 |
| 3 | Cover, Rear Lower | RC4-6934-000CN | 1 |
| 4 | Cover, Inlet | RC4-6935-000CN | 1 |
| 5 | Cover, Left Lower | RC4-6943-000CN | 1 |
| 6 | Cover, Multipurpose (MP) | RC4-7312-000CN | 1 |
| 7 | Rear Door Assy (except LCD simplex) | RM2-6746-000CN | 1 |
| 7 | Rear door Assy (LCD simplex) | RM2-1249-000CN | 1 |
| 8 | Top Cover Assy (except LCD simplex) | RM2-6750-000CN | 1 |
| 8 | Top Cover Assy (LCD simplex) | RM2-6765-000CN | 1 |
| 9 | Output bin Assy | RM2-6761-000CN | 1 |
| 10 | Formatter Cover Assy | RM2-6762-000CN | 1 |
| 11 | Multipurpose Tray Assy) | RM2-1271-000CN | 1 |
| 12 | Spring, Tension | RU8-2592-000CN | 2 |
| 14 | Upper Cover Assy | RM2-1270-000CN | 1 |
| 15 | Cover, HIP | RC4-0213-000CN | 1 |
| 16 | Cover, Multipurpose Inner | RC4-8271-000CN | 1 |
| 17 | Cover, NFC | RK2-8948-000CN | 1 |
| 18 | Cover, Panel Back (LCD Duplex/Simplex) | RC4-8239-000CN | 1 |
| 19 | Control Panel Assy LCD 10-Key LCD (Duplex/Simplex) | RM2-1267-000CN | 1 |
| 19 | Control Panel Assy (LCD Duplex EPEAT) | RM2-1259-000CN | 1 |
| 20 | Arm, Multipurpose Lift | RM2-1273-000CN | 1 |
| 21 | Arm, Multipurpose Lift | RM2-1272-000CN | 1 |
| 22 | Band, Cover | RC4-7329-000CN | 1 |