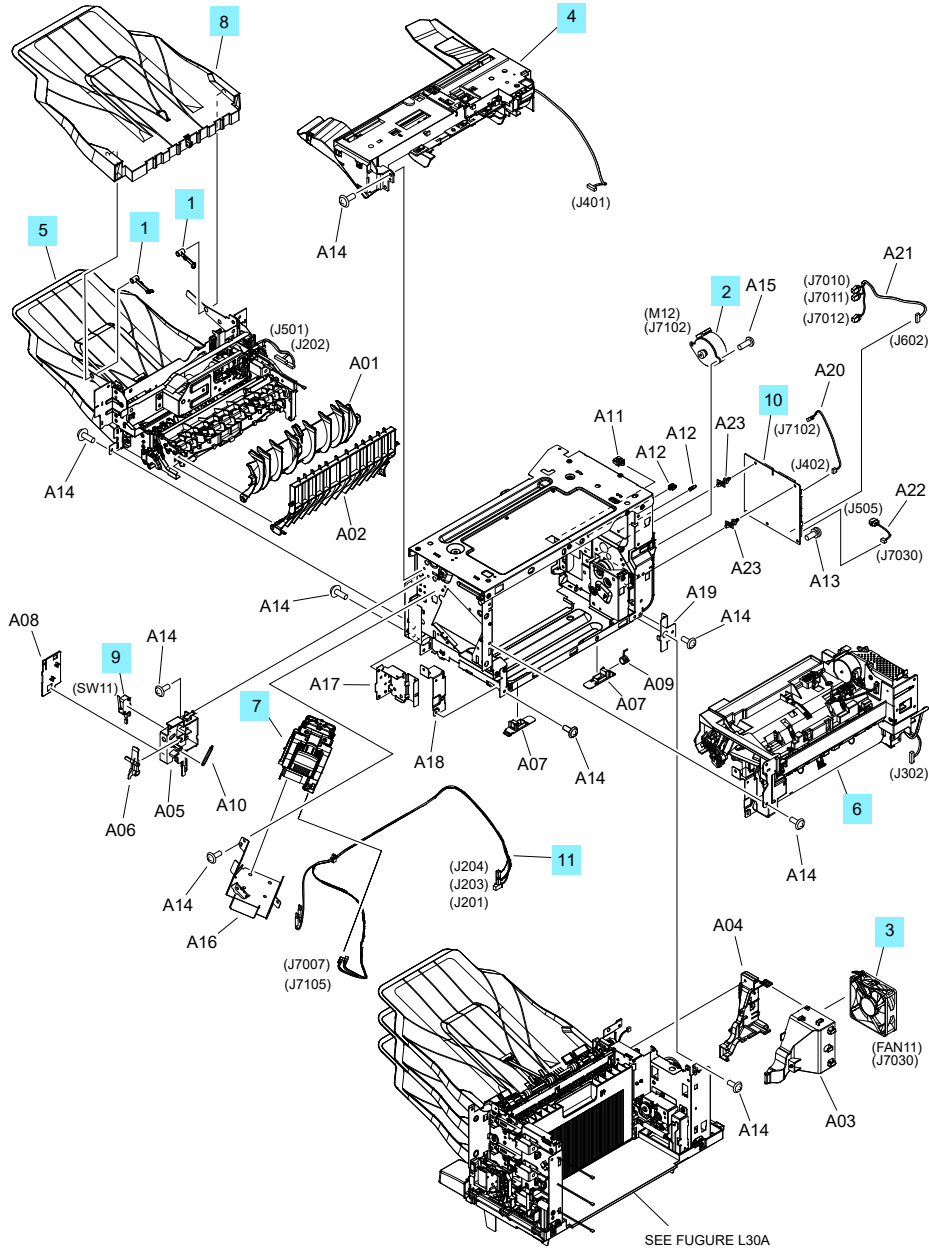


# Staple stacker/Multi Bin Mailbox main body components (M607, M608, M609)

Figure 2-32 Staple stacker/Multi Bin Mailbox main body components (M607, M608, M609)



**Table 2-35 Staple stacker/Multi Bin Mailbox main body components (M607, M608, M609)**

<b>Ref</b>	<b>Description</b>	<b>Part number</b>	<b>Qty</b>
1	Pin, Tray Fixed	RC5-0353-000CN	2
2	Motor, Stepping DC (M12)	RK2-8149-000CN	1
3	Fan (Fan3)	RK2-8153-000CN	1
4	Jog Assy	RM2-1042-000CN	1
5	Lower Paper Feed Assy	RM2-1043-000CN	1
6	Upper Paper Feed Assy	RM2-1051-000CN	1
7	Stapler	RK2-8148-000CN	1
8	Tray Assy	RM2-1196-000CN	1
9	Microswitch (SW11)	WC4-5171-000CN	1
10	Multi-bin Mailbox PCA Assy	RM2-8717-000CN	1
11	Cable, Staple	RM2-8732-000CN	1