

Parts and diagrams: Internal components (M607, M608, M609)

Internal components 1 of 6 (M607, M608, M609)

Figure 2-4 Internal components (1 of 6) (M607, M608, M609)

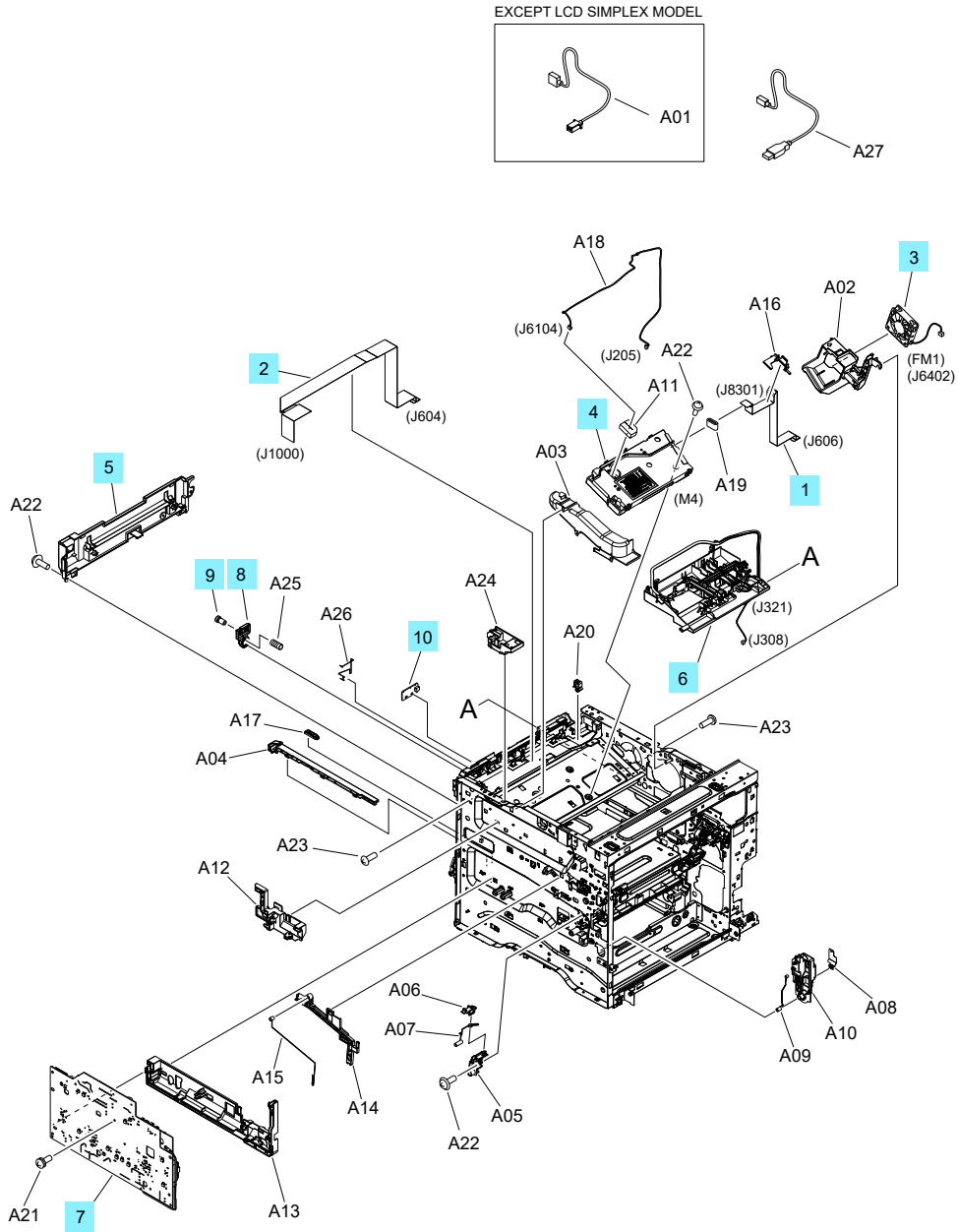


Table 2-7 Internal components (1 of 6)

Ref	Description	Part number	Qty
1	Cable, FFC Laser	RK2-8392-000CN	1
2	Cable, FFC, HVT	RK2-8394-000CN	1
3	Fan (FM1)	RK2-8946-000CN	1
4	Laser Scanner Assy	RM2-0906-000CN	1
5	Inner Cover	RC4-7341-000CN	1
6	Laser Shutter Holder Assy	RM2-6755-000CN	1
7	HVPS (except LCD Simplex models)	RM2-9335-000CN	1
7	HVPS (LCD Simplex models)	RM2-9336-000CN	1
8	Lever, Power Supply Switch	RC4-8168-000CN	1
9	Guide, Switch Right	RC4-8170-000CN	1
10	Power Supply Switch Assy	RM2-8956-000CN	1