

Internal components 2 of 6 (M607, M608, M609)

Figure 2-5 Internal components 2 of 6 (M607, M608, M609)

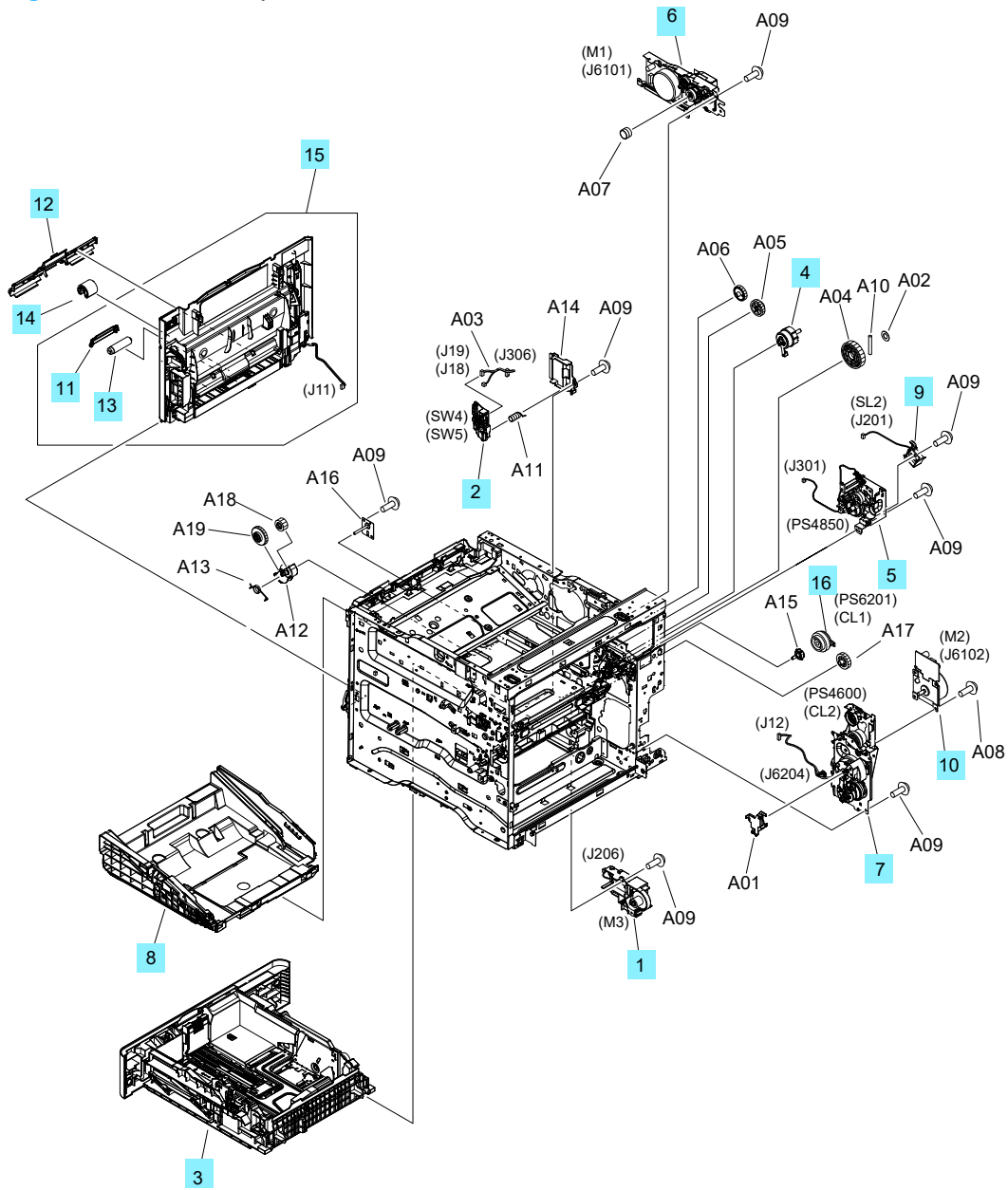


Table 2-8 Internal components 2 of 6 (M607, M608, M609)

| Ref | Description | Part number | Qty |
|------------|--|--------------------|------------|
| 1 | Lifter Drive Assy (M3) | RM2-6744-000CN | 1 |
| 2 | Size Detect Assy (SW5/SW5) | RM2-1255-000CN | 1 |
| 3 | Cassette Assy (Tray 2) | RM2-6766-000CN | 1 |
| 4 | Developing Gear Assy | RM2-1258-000CN | 1 |
| 5 | Developing Drive Assy (PS4850) | RM2-6756-000CN | 1 |
| 6 | Fuser Drive Assy (M1) | RM2-6763-000CN | 1 |
| 7 | Main Drive Assy (except LCD Simplex Model)(PS4600/CL2) | RM2-6777-000CN | 1 |
| 7 | Main Drive Assy (LCD Simplex models)(PS4600/CL2) | RM2-1250-000CN | 1 |
| 8 | Cartridge Tray Assy | RM2-6792-000CN | 1 |
| 9 | Developing Solenoid Assy (SL2) | RM2-9051-000CN | 1 |
| 10 | Drum Motor Assy (M2) | RM2-9316-000CN | 1 |
| 11 | Guide, NIP | RC4-0548-000CN | 1 |
| 12 | Cover, Multipurpose Roller | RM2-1274-000CN | 1 |
| 13 | Roller, Multipurpose (MP) Separation | J8J70-67903 | 1 |
| 14 | Roller, Multipurpose | J8J70-67903 | 1 |
| 15 | Front Door Assy | RM2-6745-000CN | 1 |
| 16 | MP Paper Feed Clutch (PS6201, CL1) | RM2-9456-000CN | 1 |