

Internal components 4 of 6 (M607, M608, M609)

Figure 2-7 Internal components 4 of 6 (M607, M608, M609)

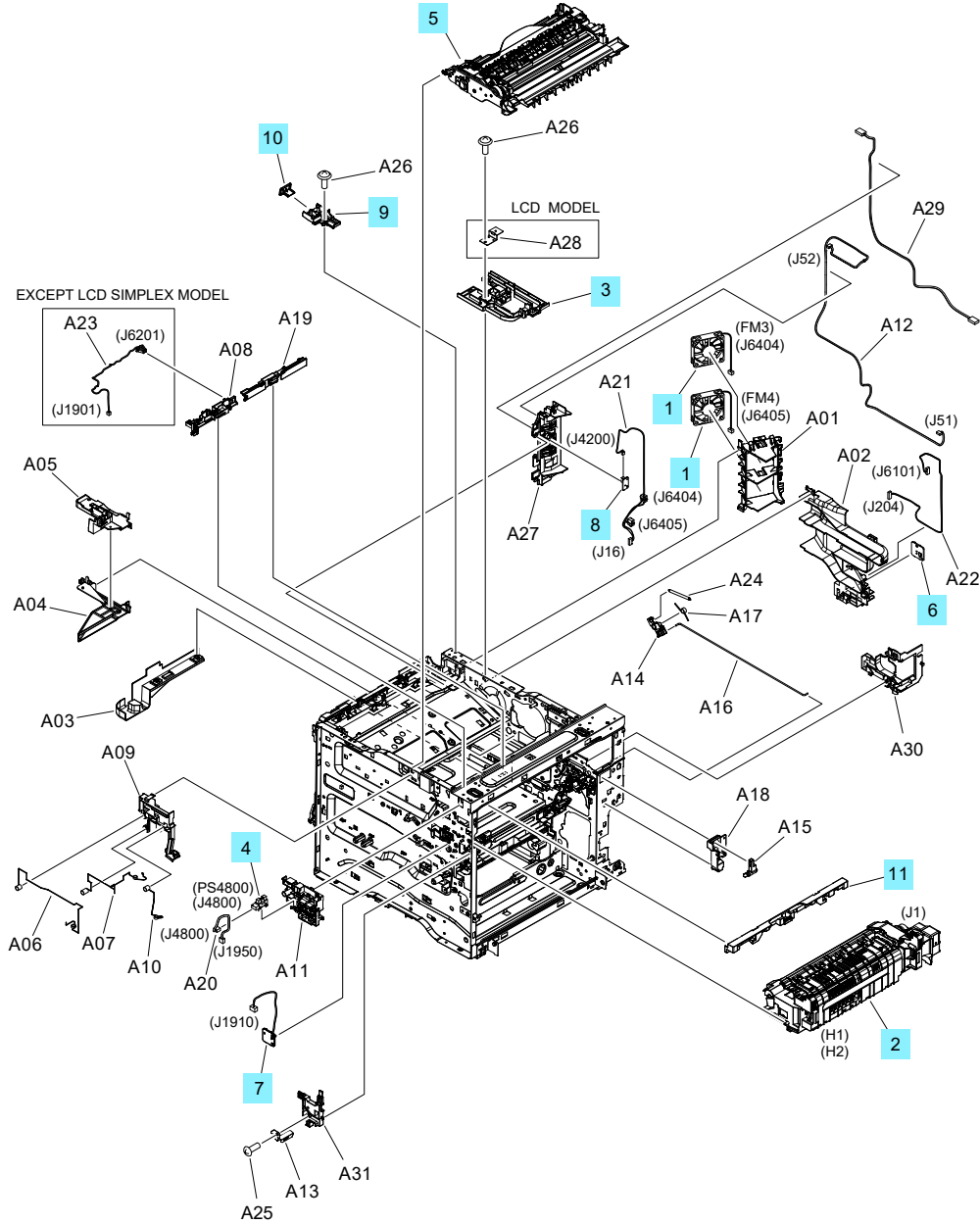


Table 2-10 Internal components 4 of 6 (M607, M608, M609)

Ref	Description	Part number	Qty
1	Fan (FM3, FM4)	RK2-8946-000CN	2
2	Fuser Assy (110V)	RM2-1256-000CN	1
2	Fuser Assy (220V)	RM2-1257-000CN	1
3	Holder, HIP	RC4-6944-000CN	1
4	Photo Interrupter (PS4800)	WG8-5935-000CN	1
5	Paper Delivery Assy (except LCD Simplex Models)	RM2-6787-000CN	1
5	Paper Delivery Assy (LCD Simplex Models)	RM2-6790-000CN	1
6	Memory PCA Assy	RM2-7645-000CN	1
7	Pre-exposure PCA Assy	RM2-8946-000CN	1
8	Temperature Sensor Assy	RM2-9037-000CN	1
9	Holder, USB Front	RC4-8310-000CN	1
10	Cover, USB	RC4-8311-000CN	1
10	Cover, Inner Rear Upper	RC5-2904-000CN	1